

Valves, Actuators, Accessories



# N Series Solenoid Valve



**VAA INTERNATIONAL INC.**



## N Series Solenoid Valve

# WHY VAA ?

- More than 20 years experience with valves, actuators, accessories, worldwide
- High quality engineering solutions
- Focus on customer satisfaction
- R&D production, quality control, testing, certification and documents are carried out by safe hands - our hands
- Motivated, enthusiastic and skilled employees

VAA INTERNATIONAL INC was established in 1990 to provide solutions in Valves, Actuators, Accessories of valve engineering and production.

VAA INTERNATIONAL INC designs and produces standard and custom-build products in accordance with international and custom standards.

Our customers make also use of our great knowledge of engineering, concerning complicated projects and the maintenance service for all makes of V.A.A.



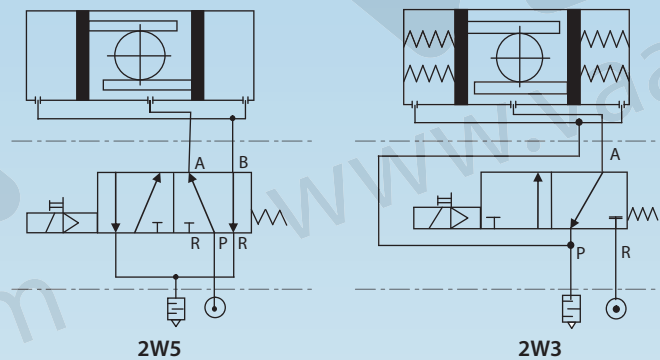
## Technical Data

Function	3/2, 5/2 and 5/3 solenoid and air operated valves.
Manual override	Locking manual override standard on all solenoid operated versions.
Design	Pilot operated spool valve with combined pneumatic and spring return.
Mounting	For direct mounting on NAMUR interface.
Mounting position	Any position.
Material specifications	Aluminium body. Stainless steel is available.
Media	Dry or lubricated air.
Fluid temperature	Min. 32°F (0 °C) Max. 122°F (+ 50 °C)
Electrical parts	See information of coils.
Voltage	24 VDC, 48 VDC, 110 AC, 220 AC
Voltage tolerance	± 10% of nominal

## Applications

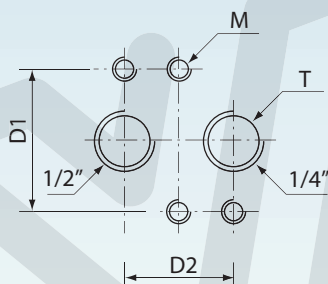
- 3 or 5port directional valves for the control of single or double acting pneumatic actuators
- The interface design corresponds to the NAMUR standard and the VDI/VDE 3845 recommendations of the actuator industry permitting a compact design of the actuator/valve unit.

## Working Principle



## NAMUR Interfaces

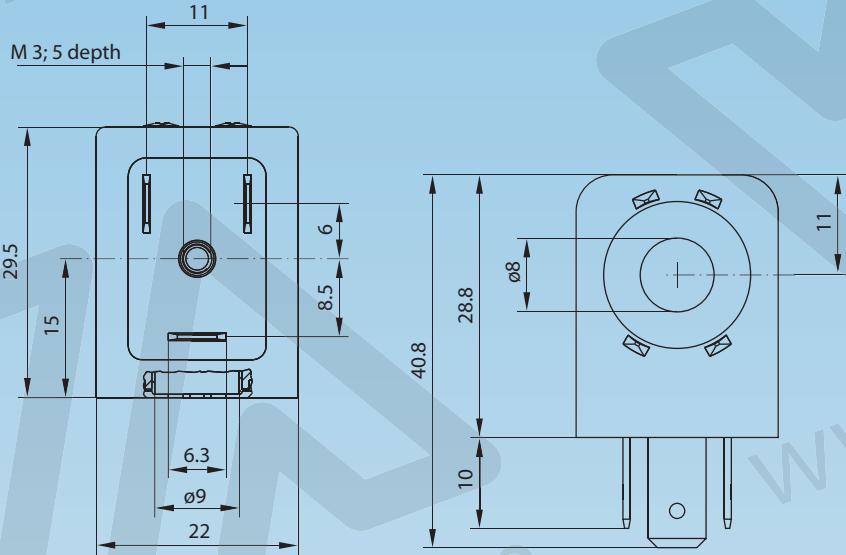
T	D1 in (mm)	D2 in (mm)	M mm
1/4"	1.26 (32)	0.95 (24)	M5
1/2"	1.77 (45)	1.58 (40)	M6



## Solenoid Coil



Width: 22 mm  
 Connection Type: Industry Form  
 Moulding Material: Thermoset Resin



## General Data

Voltage tolerance	-10% ~+10%
Ambient temperature	-20°C ~+50°C
Relative duty cycle	100%
Insulation class of insulating materials according to DIN VDE 0580	F
Degree of protection with connector according to EN 60529	IP 65 / IP 67*
Imprint (customer imprint - special version)	Nass Magnet

## Technical Data

Voltage[V]	Frequency[Hz]	Output
12DC	-	4.6W
24DC	-	3.0W
48DC	-	2.7W
110AC	50/60	5.7/4.6VA
220AV	50/60	8.5/6.9VA



A product of VAA

## Solenoid Coil System 8 ATEX



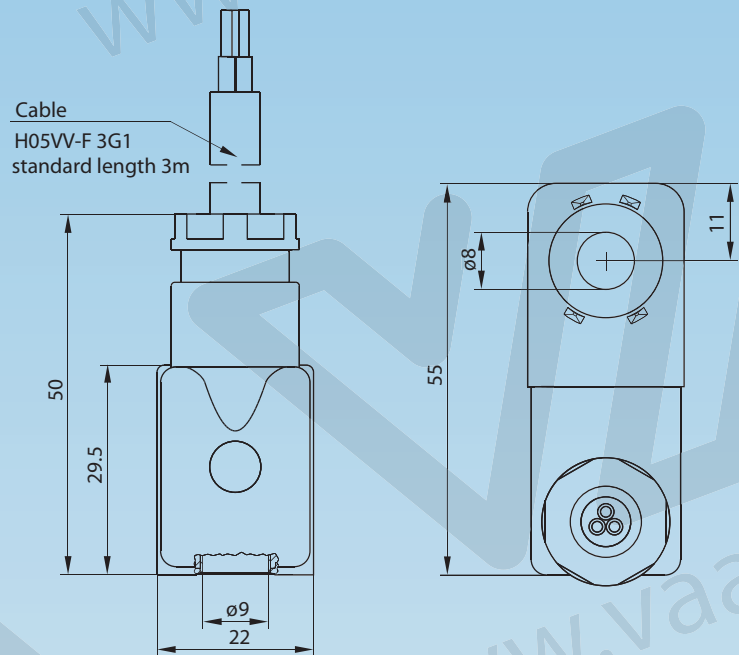
Widths : 22 mm

Ex II 2G EEx m II T<sub>1</sub>/IEC Ex m II T<sub>1</sub>

Ex II 2D IP 65 T<sub>1</sub> °C / IP65 DIP A21 T<sub>1</sub> °C

Protection by Encapsulation

Connection Type: Cable H05VV-F 3G1



## EC-Type Examination Certificate

PTB 00 ATEX 2001X / IECEx PTB 05.0006

### General Data

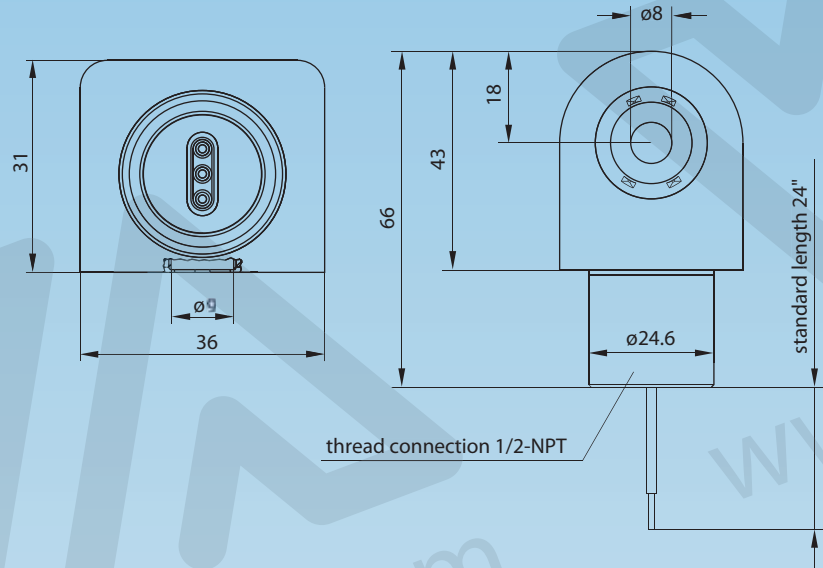
Voltage tolerance	-10% ~+10%
Ambient temperature	-20°C ~+50°C
Relative duty cycle	100%
Insulation class of insulating materials according to DIN VDE0580	F
Degree of protection with connector to EN 60529	IP 65
Moulding material	Thermoplastoc
Cable length(other cable lengths on request)	3 m



### Technical Data

Width	Voltage[V]	Frequency[Hz]	Output	Temperature Class
22mm	24DC	-	3.0W	T4
22mm	220AC	50/60	5.1VA	T4

## Solenoid Coil System 8 ATEX



Special Version: System 8 Ex CSA/FM  
 Width : 36 mm  
 Ex m II T4 + Division 1  
 Connection Type : Flying Leads, Thread 1/2-NPT

## EC-Type Examination Certificate

CSA 202633

## Hazardous Locations

Ex m II T4 and division 1 - Class I, Group A, B, C and D - Class II, Group E, F and G - Class III

Approved in compliance with CAN/ CSA-E79-0-95 and CAN/ CSA-E79-18-95 for CSA, according to ANSI/ ISA-S12.00.01-1999 and ANSI/ ISA-S12.23.01-1998 for FM.

## General Data

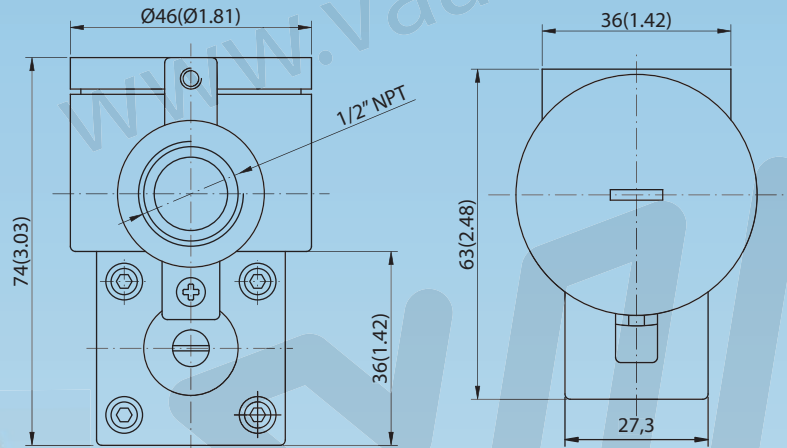
Voltage tolerance	-10% ~+10%
Ambient temperature	-20°C ~+60°C
Relative duty cycle	100%
Insulation class of insulating materials according to DIN VDE0580	H
Degree of protection with connector to EN 60529	IP 65
Moulding material	Thermoplastoc
Cable length(other cable lengths on request)	24Inch/0.6 m

## Technical Data

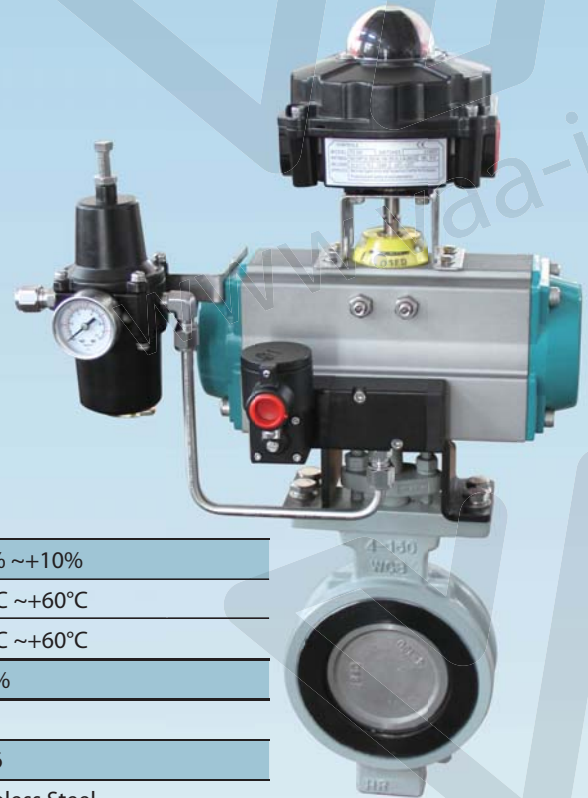
Voltage[V]	Frequency[Hz]	Output	Thread Connection	Temperature Class
24DC	-	4.6W	Stainless Steel	T4
220AC	50	7.7VA	Stainless Steel	T4

A product of VAA

## Flameproof Coil



Ex II 2G, Exd II CT6  
Connection Type : 1/2" NPT



## EC-Type Examination Certificate

CE, NEPSI

### General Data

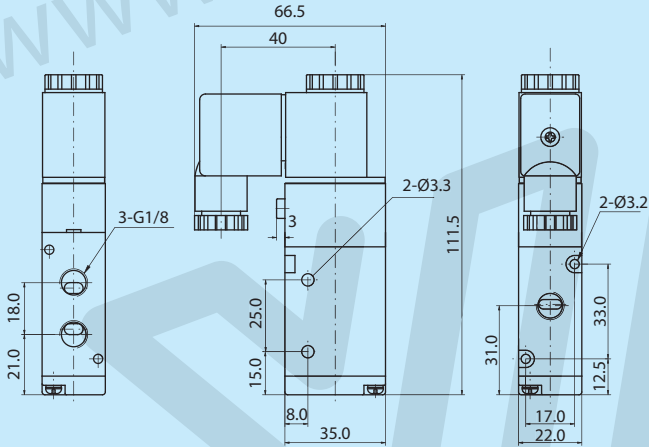
Voltage tolerance	-10% ~+10%
Ambient temperature	-20°C ~+60°C
Ambient temperature (Optional)	-40°C ~+60°C
Relative duty cycle	100%
Insulation class of insulating materials according to DIN VDE0580	H
Degree of protection with connector to EN 60529	IP 66
Moulding material	Stainless Steel Aluminum+Epoxy Coated

### Technical Data

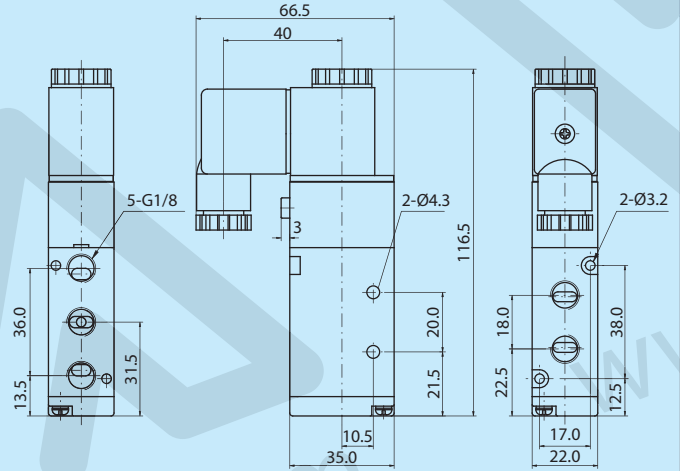
Voltage[V]	Frequency[Hz]	Output	Temperature Class
24DC	-	3.5W	T6
220AC	50/60	4VA	T6

## Dimension

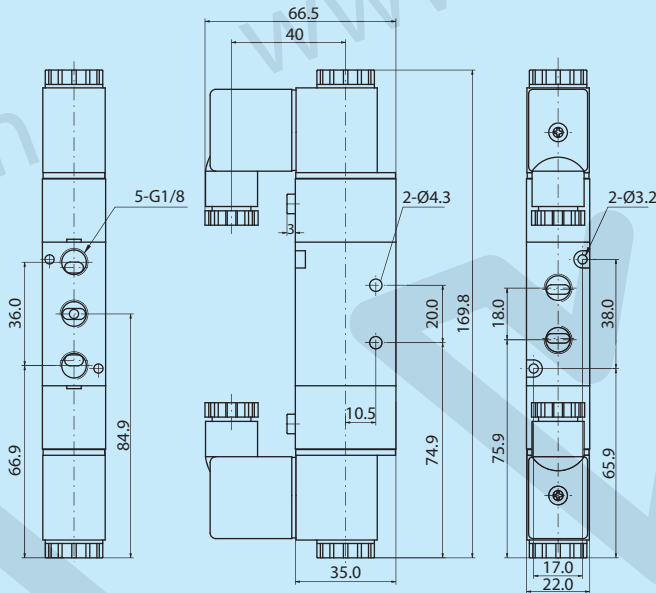
2W312-10-S



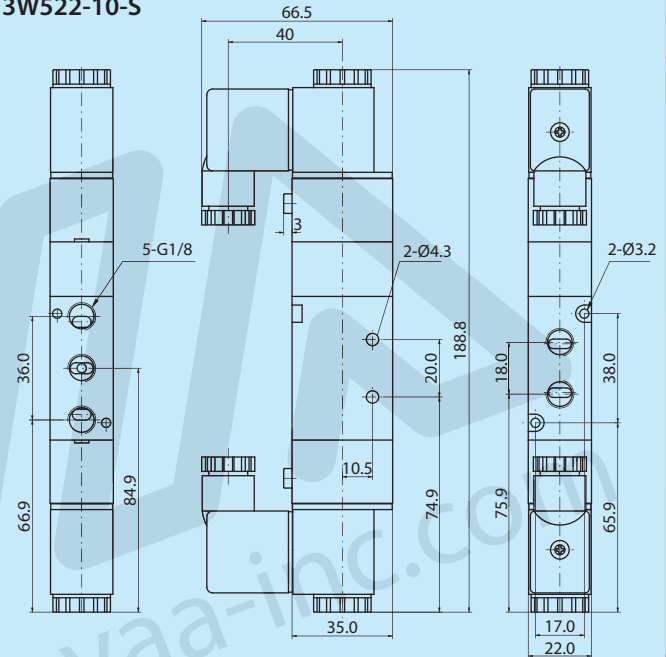
2W512-10-S



2W522-10-S



3W522-10-S

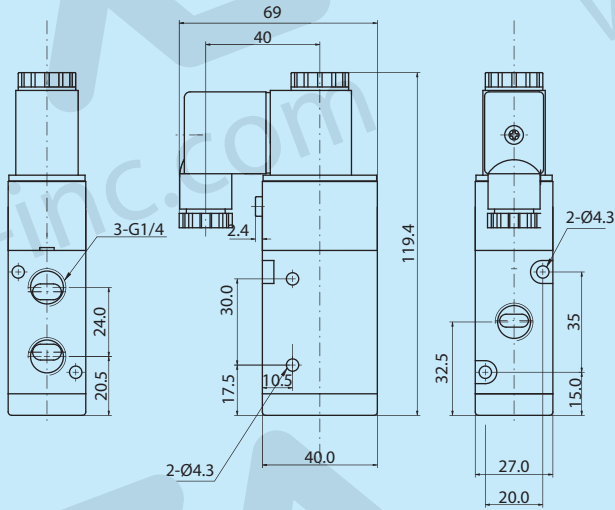


If you enquire any further information, please do not hesitate to contact us.

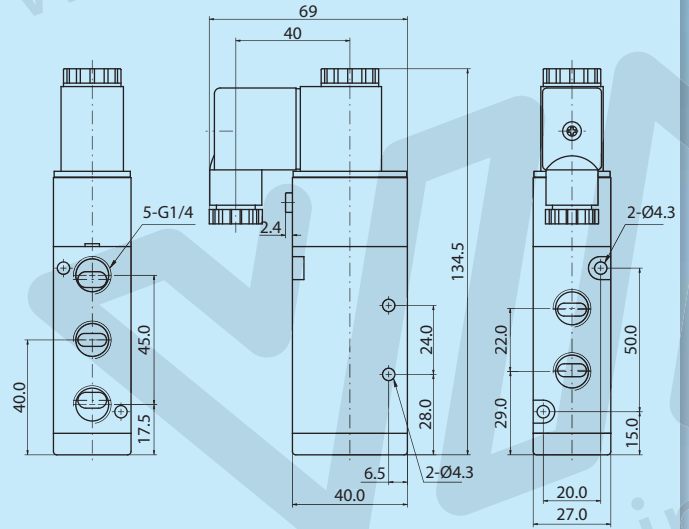


**Dimension**

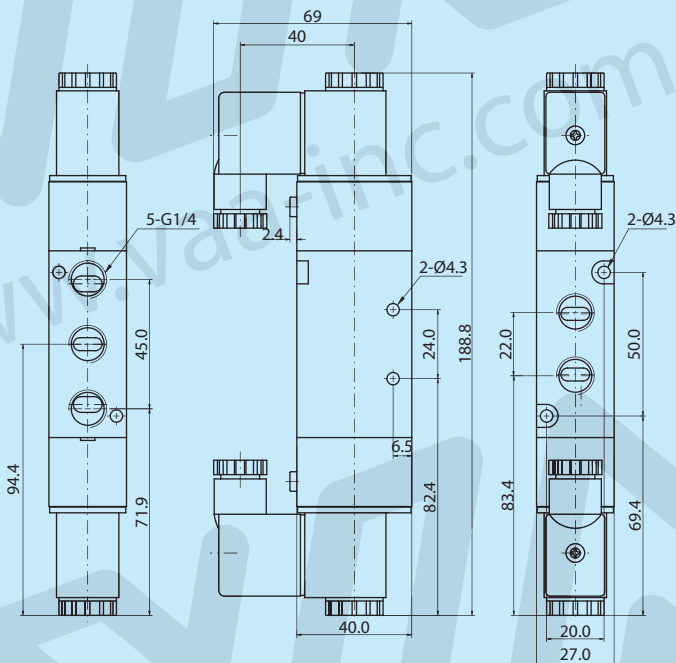
**2W312-10**



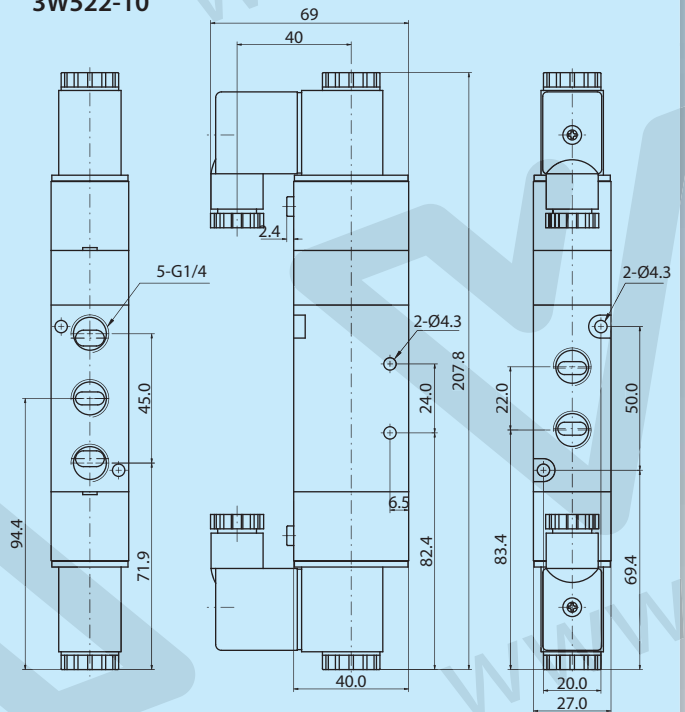
**2W512-10**



**2W522-10**



**3W522-10**



If you enquire any further information, please do not hesitate to contact us.

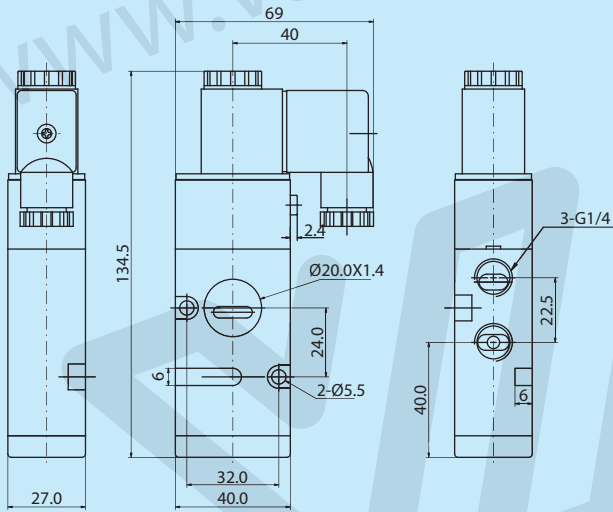


FROM CA USA

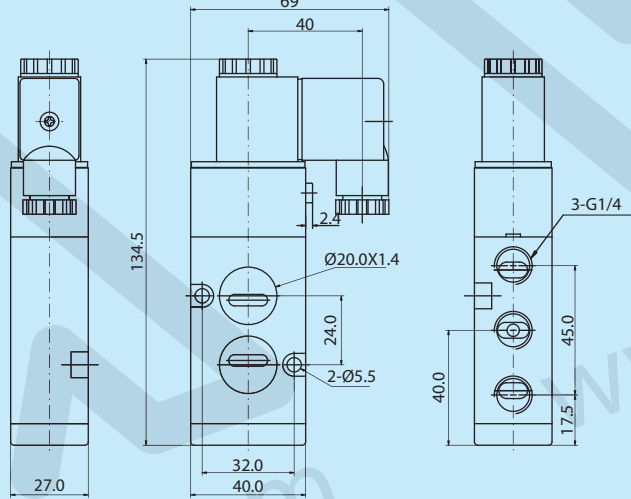
# N Series Solenoid Valve

## Dimension

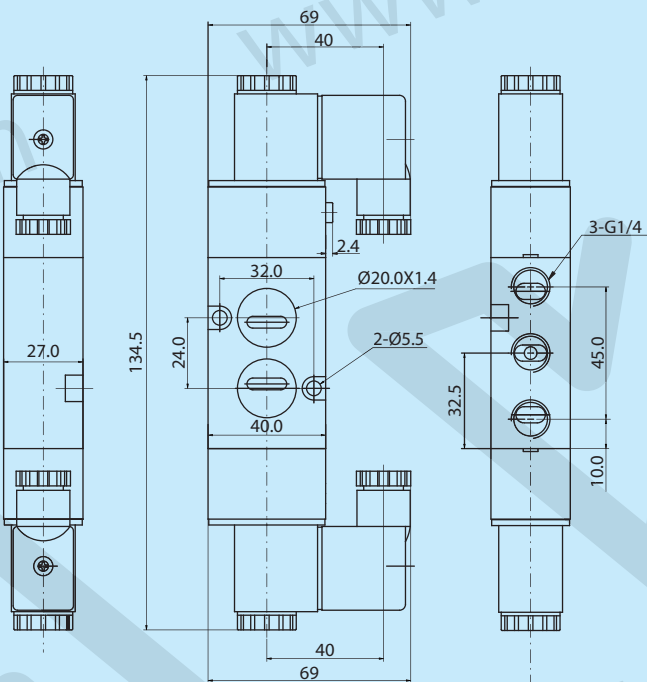
### 2W311-10



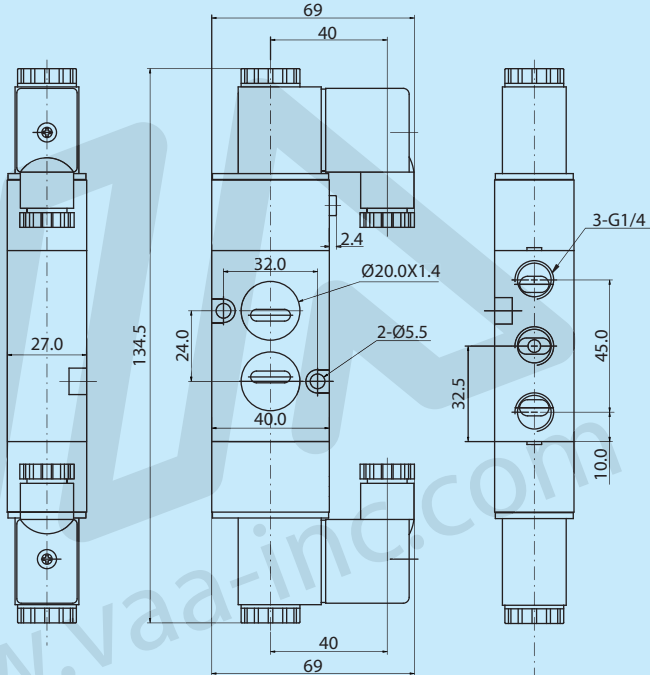
### 2W511-10



### 2W521-10



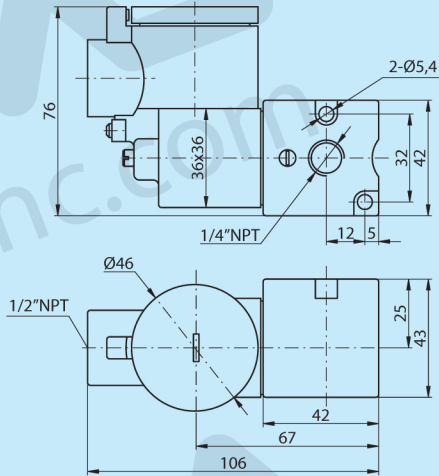
### 3W521-10



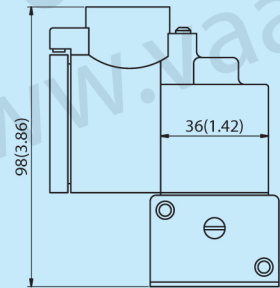
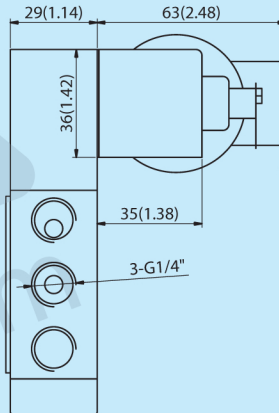
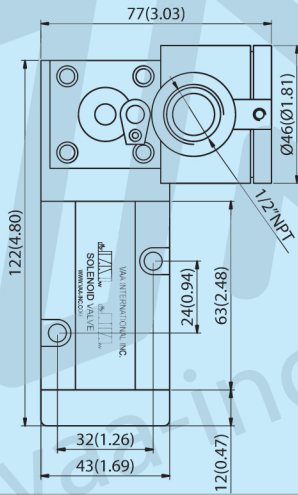
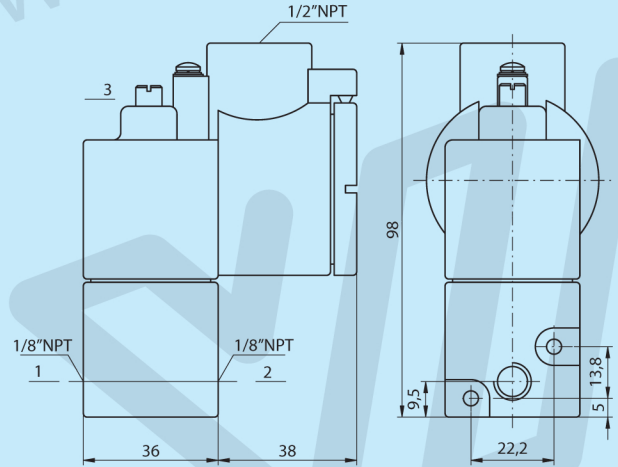
If you enquire any further information, please do not hesitate to contact us.

**Dimension**

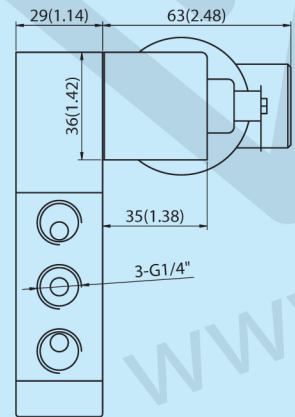
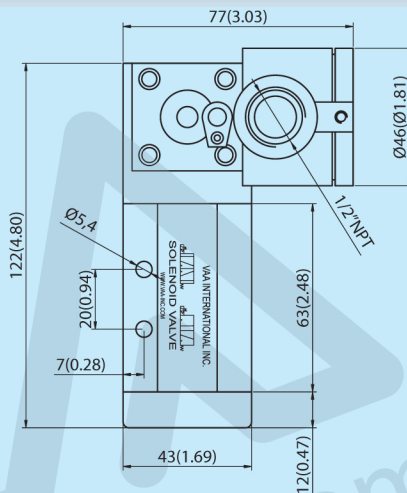
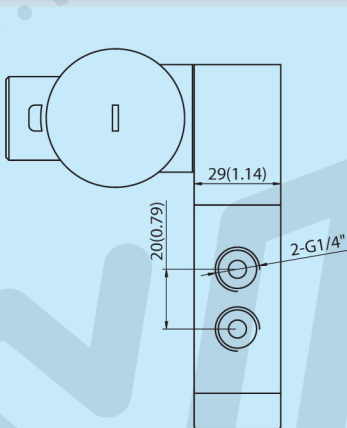
2W311-10-40/42 S2W311-10-50/52



2W312-10-40/42 S2W312-10-50/52



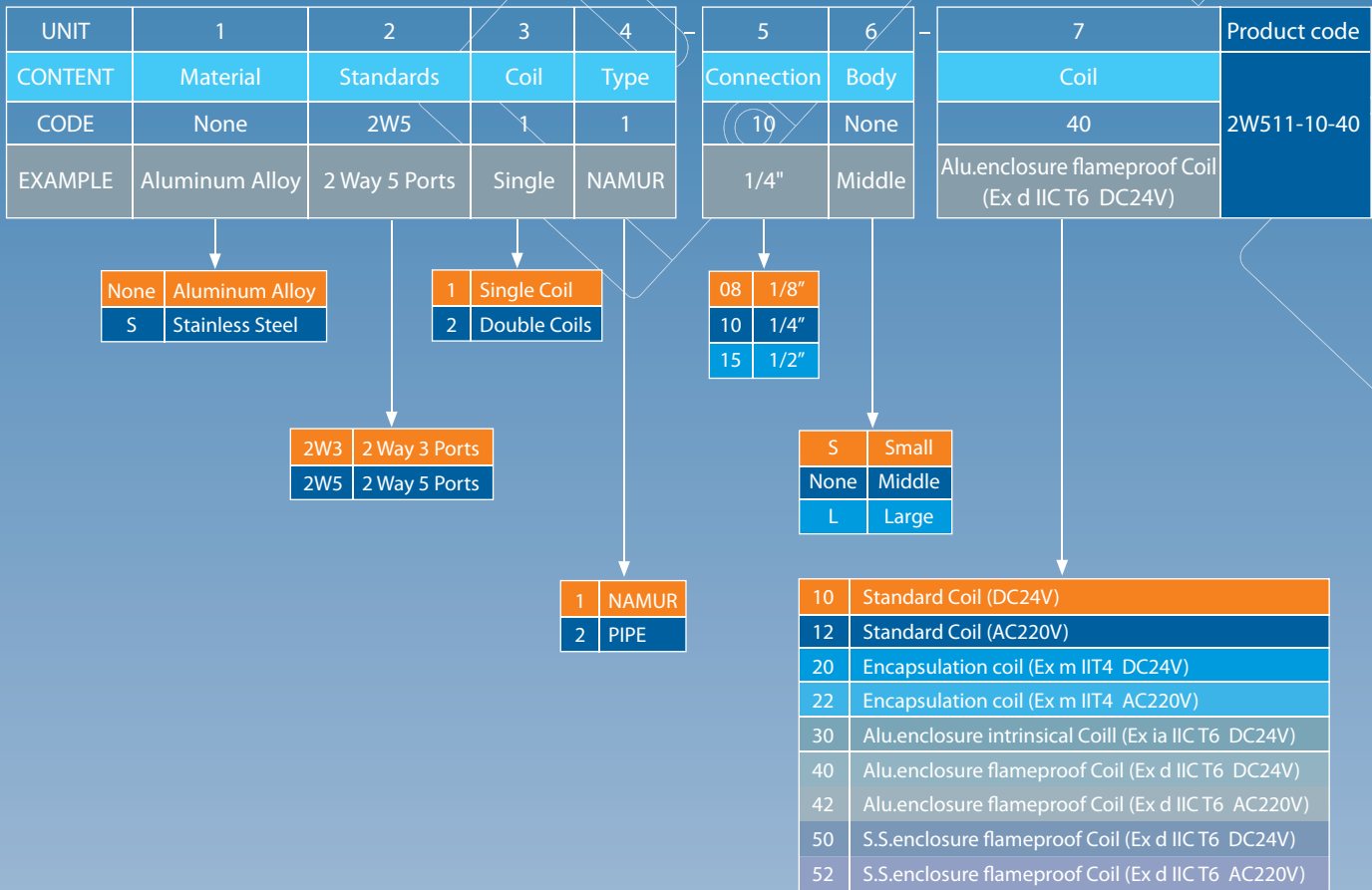
2W511-10-40/42 S2W511-10-50/52



2W512-10-40/42 S2W512-10-50/52

If you enquire any further information, please do not hesitate to contact us.

## How to Order



### VAA INTERNATIONAL INC.

118 La Porte St.  
 ARCADIA, CA 91006  
 U.S.A

Phone: +1(909)224-8165  
 Fax: +1(626)574-8088  
 www.vaa-inc.com

Sales: sales@vaa-inc.com  
 Sales - International: international@vaa-inc.com  
 Service: service@vaa-inc.com