

Valves, Actuators, Accessories



T50 & T100 Filter Regulator



VVA INTERNATIONAL INC.

T50 & T100 Filter Regulator



Features

- Superior regulation characteristics
- Rugged, corrosion-resistant construction
- Excellent stability and repeatability
- Self-relieving
- Integral, 40 micron, self cleaning filter
- Low droop at high flow
- Several mounting options
- Low cost

Description

VAA's Type 50 & Type 100 Filter Regulators are reliable precision units designed for instrumentation and general purpose use in both standard environments (Type 50), and corrosive environments (Type 100).

Test data for these regulators show excellent performance characteristics compared with those of similar units presently on the market. These VAA regulators are generally superior in regulated pressure vs. flow, forward-to-reverse flow offset, supply pressure sensitivity, repeatability and stability.

Ruggedly designed and constructed, the regulators have housings of diecast aluminum. The Type 50 Regulator is finished with epoxy paint for added protection. while the major parts of Type 100 is stainless steel 304/316.

Both models are pressure and leak tested prior to shipment from the factory.

Careful design and quality materials throughout assure long, trouble-free operation in the most difficult industrial environments. A rubberized, soft-seat valve stem provides positive shut-off and "forgives" dirt or other foreign matter. An aspirator maintains downstream pressure and compensates for droop when high flow occurs. The full flow gauge port is convenient for gauge installation and can also be used as an additional full flow outlet. The Type 50 regulators include a unique self-cleaning 40 micron nylon mesh filter (stainless steel in the Type 100) that can be easily removed.

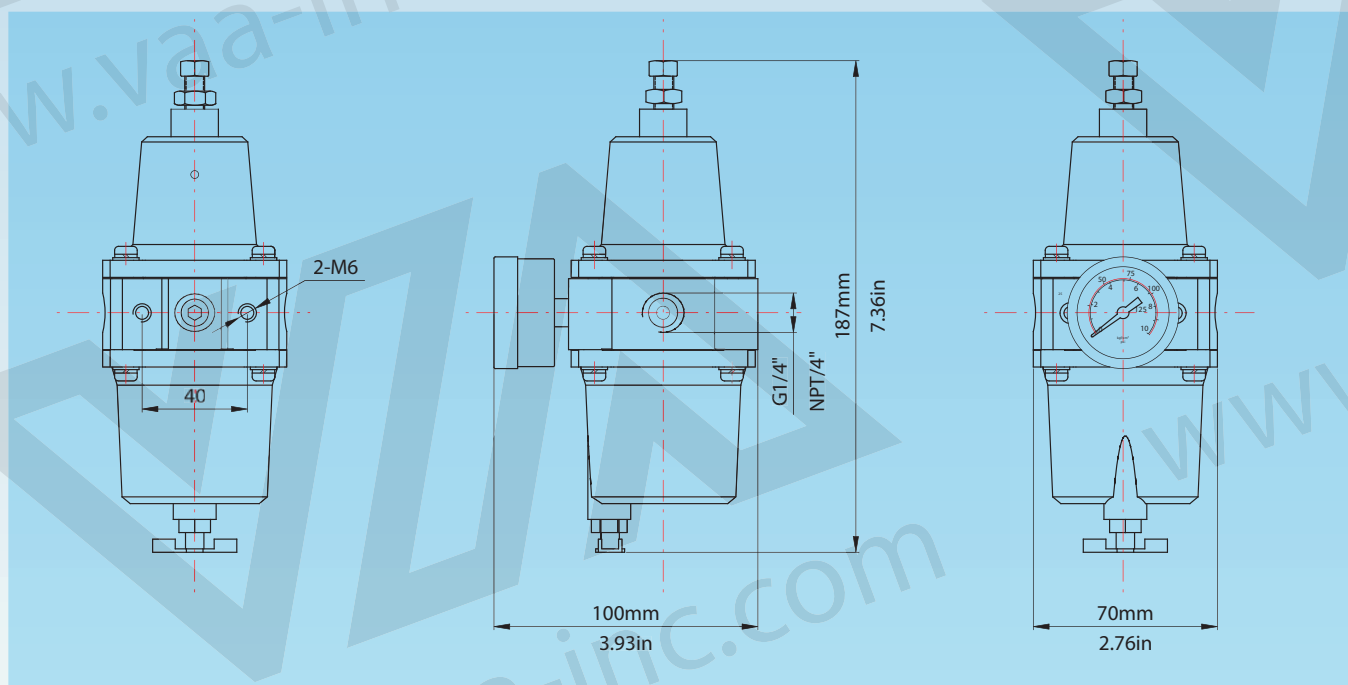
Application

The design of these regulators is especially well suited to pilot-operated controllers, and instruments, as well as applications such as air chucks, air spray guns, air cylinders and actuators, and a wide range of industrial pneumatic systems and equipment.

Technical Data

Model	TYPE 50 Filter Regulator	TYPE 100 Filter Regulator
Sensitivity	1"(25.4mm) Water Column	1"(25.4mm) Water Column
Flow Capacity	20 SCFM (565LPM)	20 SCFM (565LPM)
Effect of Supply Pressure variation(25psi) on Outlet Pressure	<0.2 psi(0.01 BAR)	<0.2 psi(0.01 BAR)
Exhaust Capacity (5 psi above 20 psi set point)	0.1-0.45 SCFM Typical (2.8-12.7 LPM)	0.1-0.45 SCFM Typical (2.8-12.7 LPM)
Maximum Input/Supply Pressure	250 psi(0.01BAR)	250 psi(0.01BAR)
Effect of Changes in Flow on Regulated Pressure (100 psi/6.9 BAR Supply)	4 psi (0.3BAR) over flow 10 SCFM (283 LPM) (1/4"NPT, 20 psi/1.4BAR set point)	5 psi (0.3BAR) over flow 10 SCFM (283 LPM) (1/4"NPT, 20 psi/1.4BAR set point)
Output Pressure Ranges	0-30 psi (0-2.1 BAR) 0-60 psi(0-4.1 BAR), 0-150 psi(0-10.3 BAR)	0-30 psi (0-2.1 BAR) 0-60 psi(0-4.1 BAR), 0-150 psi(0-10.3 BAR)
Temperature Ranges	0 to 160°F (-18 to 71°C)	-40 to 300°F (-40 to 150°C)
Tptal Air Consumption@Maximum Output	6 SCFH(2.8LPM)	6 SCFH(2.8LPM)
Port Size	1/4"NPT, BSPT	1/4"NPT, BSPT
Weight	0.7 kg/1.54 LB	1.6 kg/3.52 LB
Materials of body	Diecast aluminum with epoxy paint	Stainless steel 304/316/316L
Tamper Proof Cover	Yes	Yes
Mounting	Pipe, Panel, Bracket or Thru Body Holes	Pipe, Panel, Bracket or Thru Body Holes

Dimensions



Pressure Gauge



Stainless steel pressure gauge



Vibration-proof pressure gauge

How to Order

UNIT	1	2	3	4	Product code
CONTENT	Material of body	Pressure	Connection	Pressure Gauge	T-50 AGVP
CODE	T-50	A	G	VP	
EXAMPLE	Aluminum	0~60psi	PT 1/4"	Vibration-Proof	

T-50	Aluminum	None	0~150 Psi	None	NPT 1/4"	None	Stainless Steel
T-100	Stainless Steel 304	A	0~60 Psi	G	PT 1/4"	VP	Vibration-Proof
T-106	Stainless Steel 316	B	0~30 Psi				
T-109	Stainless Steel 316L						



VAA INTERNATIONAL INC.

1122 ARCADIA AVE., #H
 ARCADIA, CA 91007
 U.S.A

Phone: +1(909)224-8165
 Fax: +1(626)574-8088
 www.vaa-inc.com

Sales: sales@vaa-inc.com
 Sales - International: international@vaa-inc.com
 Service: service@vaa-inc.com