



RT Series Pneumatic Actuator
RT系列气动执行器



无锡福斯拓科科技有限公司
WUXI FORCE & TORQUE TECHNOLOGY CO., LTD.



无锡福斯拓科科技有限公司是一家深受国内外客户及用户认可的气动阀门执行器专业生产厂家。凭借20年的行业经验，福斯拓科致力于为客户提供世界一流的产品和服务。

福斯拓科产品主要包括气动阀门执行器、气动阀门附件（手轮机构、限位开关，电磁阀，过滤减压阀，电气定位器等控制附件）及气动球阀、气动蝶阀等成套阀门产品。

气动执行器产品主要包括不锈钢系列气动执行器；RT系列齿轮齿条气动执行器；HPY系列拨叉式气动执行器、拨叉式液动执行器；HPL系列直行程气

动执行器、直行程液动执行器。执行器缸径从 $\phi 32 \sim \phi 1000\text{mm}$ 近百个规格，扭矩范围覆盖 $5\text{Nm} \sim 300000\text{Nm}$ 。

福斯拓科秉承“专注、专业、卓越”的经营理念，将竭诚为新老客户提供更好的技术，完善的产品和优质的服务。

Wuxi Force & Torque Technology Co., Ltd. is a well recognized world leader and reliable manufacturer for pneumatic actuator and pneumatic valve in China. With over 20 years innovation and extensive industry experience, Force & Torque provides first class products and services for customers worldwide.

Force & Torque supplies pneumatic actuators and valve control accessories such as manual override, limit switch box, solenoid valve, filter regulator, valve position feedback device etc.. Additionally, Force & Torque provides professional valve automation solutions like pneumatic ball valve, pneumatic butterfly valve etc. for diverse applications.

The wide variety of actuators include stainless steel pneumatic actuator, RT series rack and pinion actuator, HPY series scotch yoke pneumatic actuator and scotch yoke hydraulic actuator, HPL series linear pneumatic actuator and linear hydraulic actuator. Actuator ranges from $\phi 32$ to $\phi 1000$, torque covers from 5Nm to 300000Nm .

Focusing on the mindset ‘Absorbed, Professional, Excellent’, Wuxi Force & Torque devotes to serve customers with more excellent technology, innovative products and best service.

打造执行器及阀门附件专业供应商

The Professional Provider of Actuators



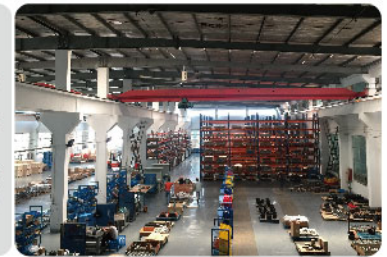
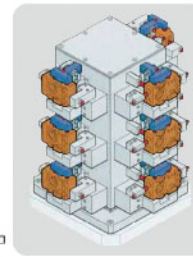
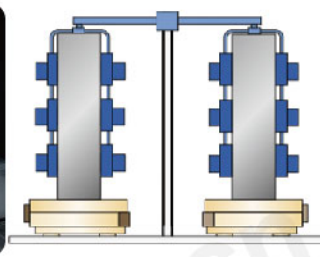
互赢 互利 共存

Mutually Beneficial Relationships



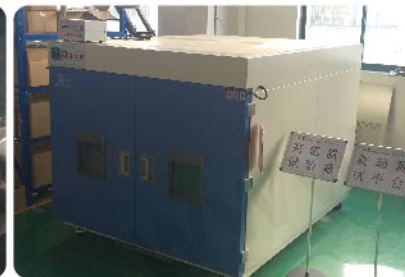
专注 专业 卓越
Focus On Professionalism

成为您的最佳合作伙伴
To Be Your Best Partner

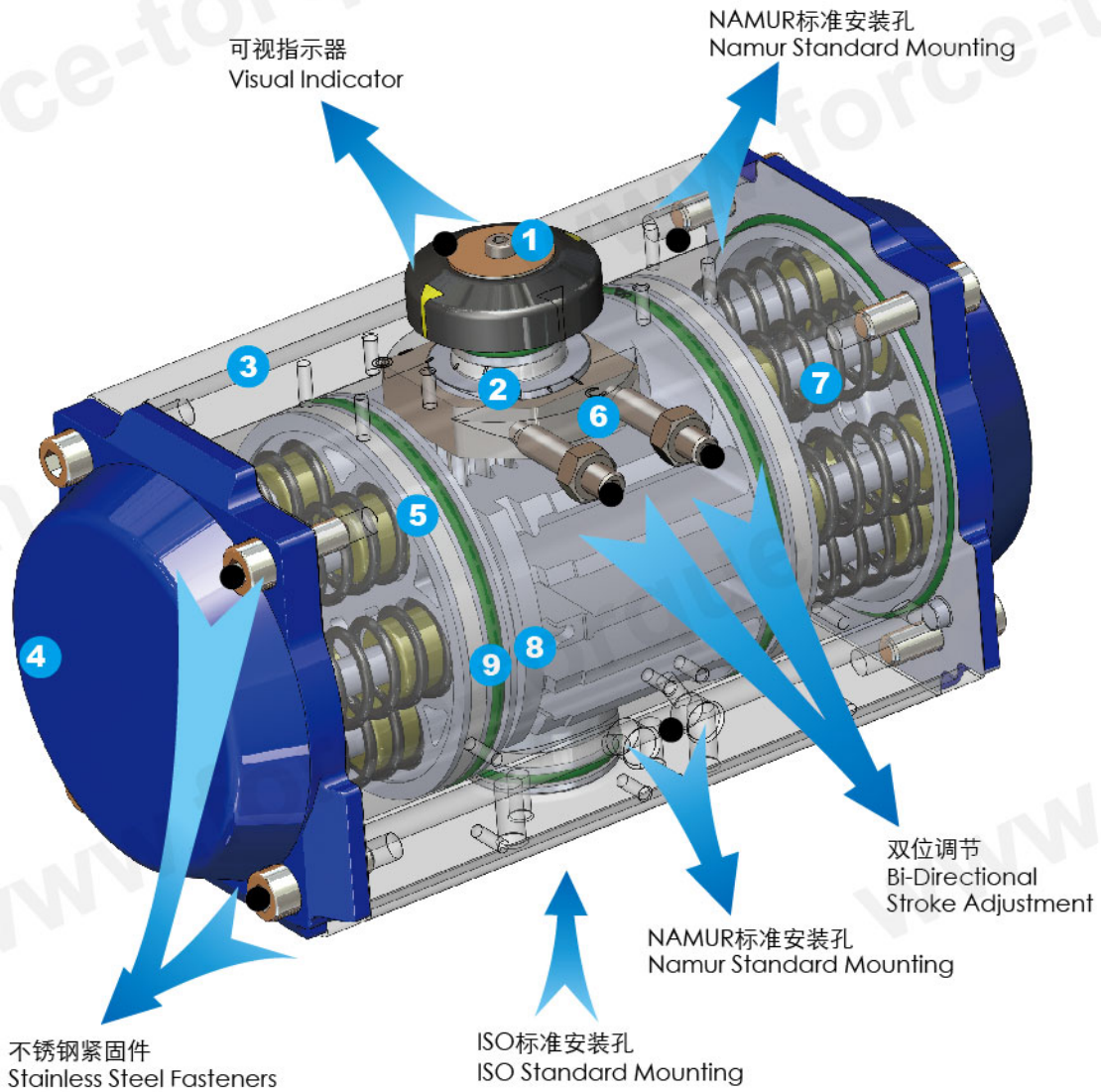


二十年的行业经验 一站式的产品和服务

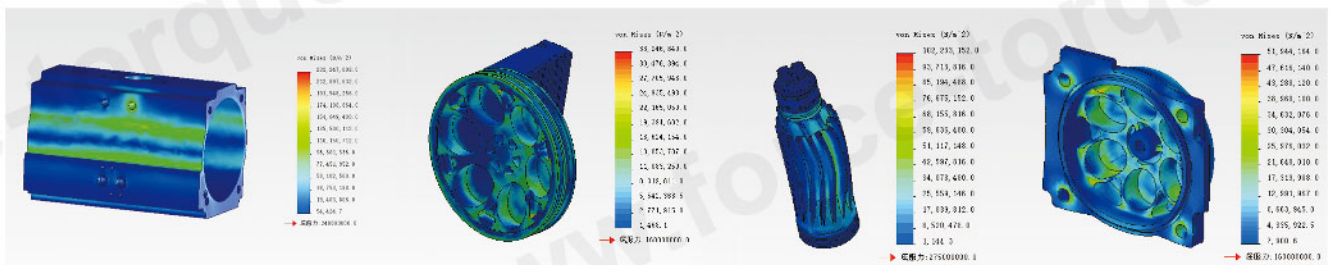
Twenty years experience "one-stop" goods and services



Construction
产品结构



Professional Design
专业设计



1 指示器 Indicator

NAMUR 标准指示器便于安装位置开关、定位器等附件。
Position indicator with NAMUR is convenient for mounting accessories such as Limit Switch box, Positioner and so on.

2 输出轴 Pinion

镀镍合金钢、高精度一体式输出轴同时符合NAMUR、ISO5211、DIN3337标准。可根据客户要求定制尺寸和不锈钢材料。

The pinion is high-precision and integrative, made from nickelled-alloy steel, full conform to the latest standards of ISO5211, DIN3337, NAMUR. The dimensions can be customized and the stainless steel is available.

3 缸体 Actuator Body

ASTM6005压铸铝合金缸体可以采用硬质氧化、环氧树脂喷涂（根据要求喷涂蓝色、橙色、黄色等）、PTFE涂层或镀镍满足不同要求。

According to the different requirements, the extruded aluminum alloy ASTM6005 Body can be treated with hard anodized, powder polyester painted (different colours is available such as blue, orange, yellow etc.), PTFE or Nickel plated.

4 端盖 End caps

压铸铝合金表面金属粉末喷涂各种颜色、PTFE涂层或镀镍处理。
Die-casting aluminum powder polyester painted in different colours, PTFE or Nickel plated.

5 活塞 Pistons

双活塞齿条、采用铸铝硬质氧化或者铸钢镀锌处理，安装位置对称、运作迅速、使用寿命长，简单的颠倒活塞可以改变旋转方向。

The twin rack pistons are made from Die-casting aluminum treated with Hard anodized or made from Cast steel with galvanization. Symmetric mounting position, long cycle life and fast operation, reversing rotation by simply inverting the pistons.

6 行程调节 Travel adjustment

两个独立的行程调节螺钉可以进行方便、精确 $\pm 5^\circ$ 的调节开关位置。

The two independent external travel stop adjustment bolts can adjust $\pm 5^\circ$ at both open and close directions easily and precisely.



7 高性能弹簧 High performance springs

采用优质材料、涂层处理，预压装配。具有较强的抗腐蚀性和使用寿命。能够安全、简单的拆卸单作用执行器，通过改变弹簧数量满足不同的力矩输出范围。

Preloaded coating springs are made from the high quality material for resistant to corrosion and longer service life, which can be demounted safely and conveniently to satisfy different requirements of torque by changing quantity of springs.

8 轴承、导板 Bearings & Guides

采用低摩擦、长寿命复合材料，避免了金属与金属的直接接触，维修更换简单方便。

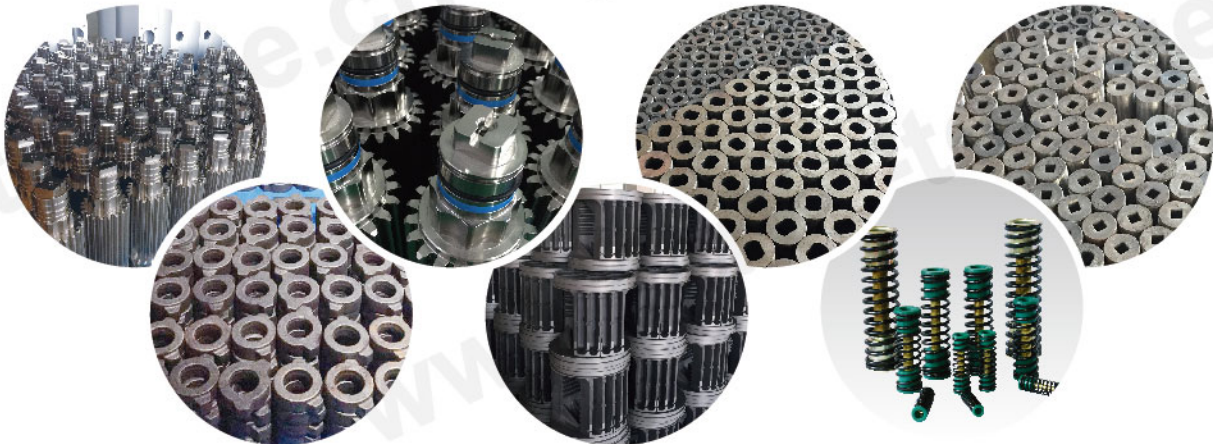
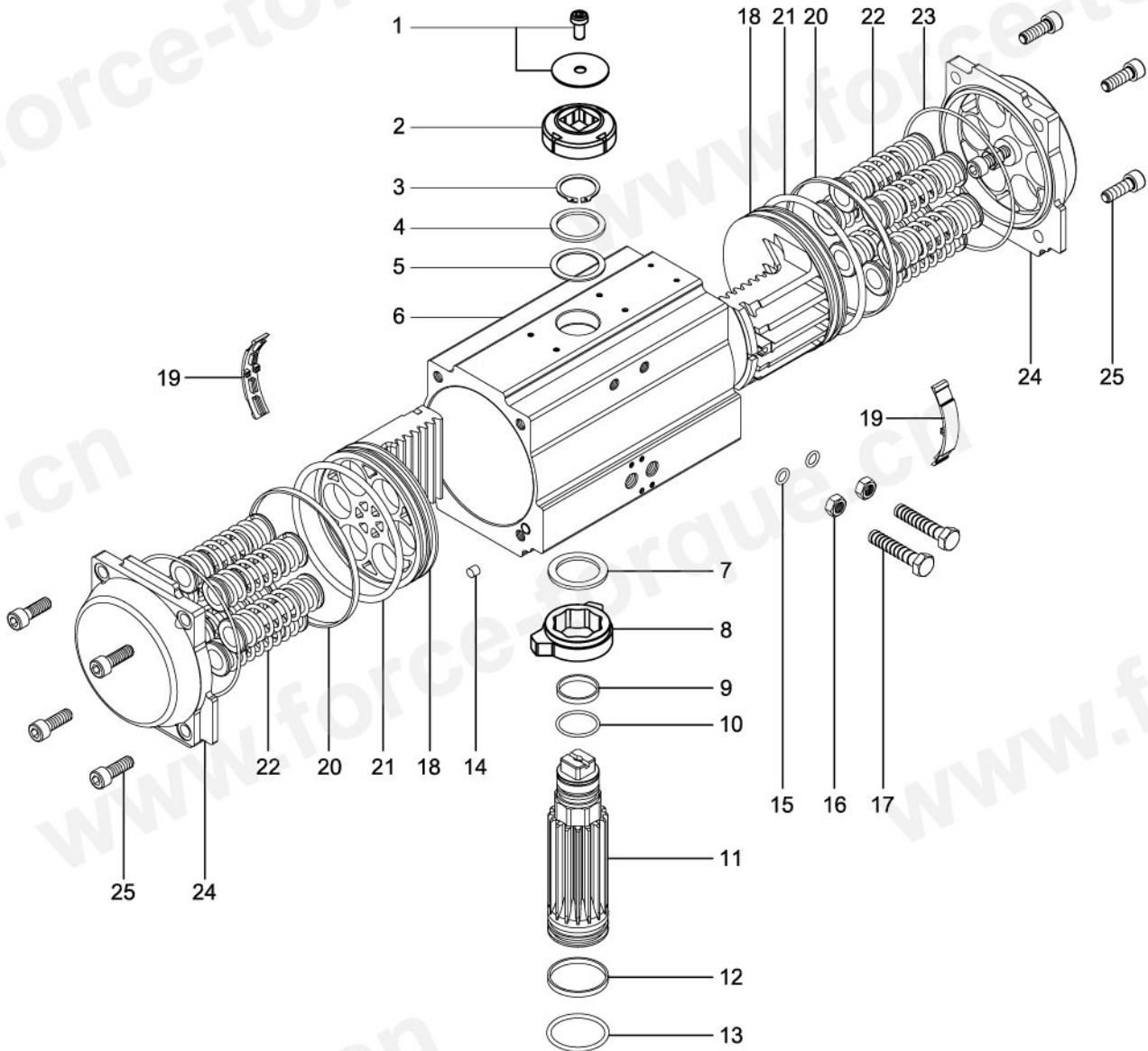
Made from low friction, long-life compound material, to avoid the direct contact between metals. The maintenance and replacement are easy and convenient.

9 O-rings 密封

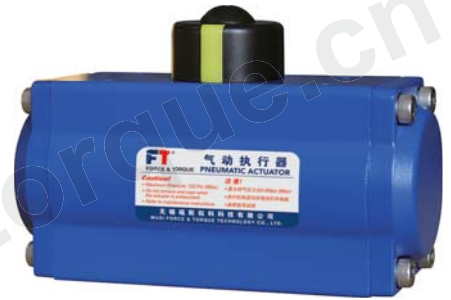
在常温工作条件下使用丁腈橡胶，在高温或低温时采用氟橡胶或硅橡胶。

NBR rubber O-rings provide trouble-free operation at standard temperature ranges. For high and low temperature applications Viton or Silicone.

Parts and Material
零件和材料



序号	名称	数量	材料	防腐处理	可选材料
1	指示器螺钉	1	不锈钢		
2	指示器	1	塑料		
3	卡簧	1	不锈钢		
4	垫圈	1	不锈钢		
5	外垫片	1	工程塑料		
6	缸体	1	铸铝	硬质氧化等	
7	内垫片	1	工程塑料		
8	凸轮	1	合金钢		
9	上轴轴承	1	工程塑料		
10	上轴O型圈	1	丁腈橡胶		氟橡胶/硅橡胶
11	齿轴	1	合金钢	镀镍	不锈钢
12	下轴轴承	1	工程塑料		
13	下轴O型圈	1	丁腈橡胶		氟橡胶/硅橡胶
14	堵头	2	丁腈橡胶		氟橡胶/硅橡胶
15	调节螺钉O型圈	2	丁腈橡胶		氟橡胶/硅橡胶
16	调节螺钉螺母	2	不锈钢		
17	调节螺栓	2	不锈钢		
18	活塞	2	铸铝/铸钢	氧化/镀锌	不锈钢
19	活塞导板	2	工程塑料		
20	活塞轴承	2	工程塑料		
21	活塞O型圈	2	丁腈橡胶		氟橡胶/硅橡胶
22	弹簧	0~12	弹簧钢	浸漆	
23	端盖O型圈	2	丁腈橡胶		氟橡胶/硅橡胶
24	端盖	2	铸铝	粉末喷涂等	
25	端盖螺栓	8	不锈钢		

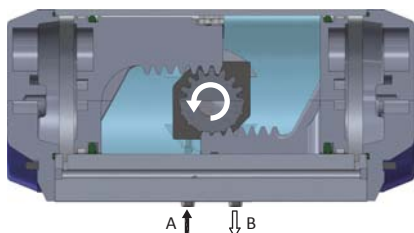


No.	Description	Qty	Standard Material	Protection	OPTIONAL MATERIAL
1	Indicator screw/washer	1	Stainless Steel		
2	Indicator	1	Plastic		
3	Spring clip	1	Stainless Steel		
4	Thrust washer	1	Stainless Steel		
5	Outside washer	1	Engineering Plastics		
6	Body	1	Extruded Aluminum Alloy	Hard Anodized Etc	
7	Inside washer	1	Engineering Plastics		
8	Cam	1	Alloy Steel		
9	Bearing(pinion top)	1	Nbr		Viton/Silicone
10	O-ring (pinion top)	1	Engineering Plastics		
11	Pinion	1	Alloy Steel	Nickel Plated	Stainless Steel
12	Bearing(pinion bottom)	1	Engineering Plastics		
13	O-ring (pinion bottom)	1	Nbr		Viton/Silicone
14	Plug	2	Nbr		Viton/Silicone
15	O-ring(Adjust screw)	2	Nbr		Viton/Silicone
16	Nut(Adjust screw)	2	Stainless Steel		
17	Adjust screw	2	Stainless Steel		
18	Piston	2	Cast Aluminum/casting	Anodized/zinc Galvanized	Stainless Steel
19	Guide(Piston)	2	Engineering Plastics		
20	Bearing(Piston)	2	Engineering Plastics		
21	O-ring(Piston)	2	Nbr		Viton/Silicone
22	Spring	0~12	Spring Steel	Dip Coating	
23	O-ring(End cap)	2	Nbr		Viton/Silicone
24	End cap	2	Cast Aluminum	Powder Polyester Painted Etc	
25	Cap screw	8	Stainless Steel		

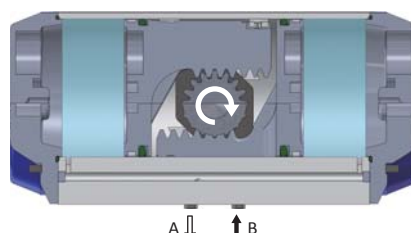
Operating Principle

工作原理

双作用执行器 Double Acting Actuators

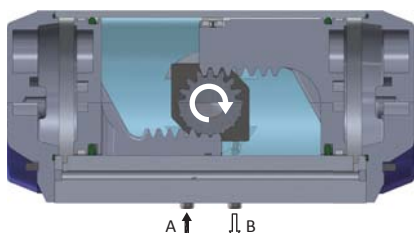


正作用
Air to Counter-clockwise
Rotation

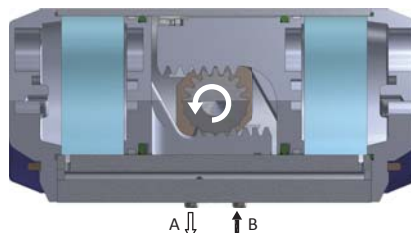


B口进气, 压缩空气推动活塞向内运动, 使执行器输出轴顺时针旋转($90^\circ \rightarrow 0^\circ$), A口排气。
Air to Port B forces the pistons inwards, causing the pinion to turn clockwise while the air is being exhausted from Port A.

A口进气, 压缩空气推动活塞向外运动, 使执行器输出轴逆时针旋转($0^\circ \rightarrow 90^\circ$), B口排气。
Air to Port A forces the pistons outward, causing the pinion to turn counterclockwise while the air is being exhausted from Port B.



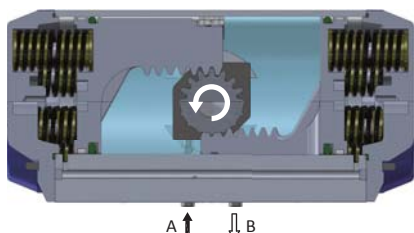
反作用
Air to Clockwise
Rotation



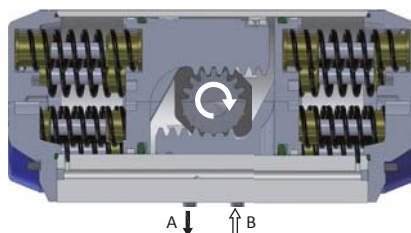
B口进气, 压缩空气推动活塞向内运动, 使执行器输出轴逆时针旋转($90^\circ \rightarrow 0^\circ$), A口排气。
Air to Port B forces the pistons inwards, causing the pinion to turn counterclockwise while the air is being exhausted from Port A.

A口进气, 压缩空气推动活塞向外运动, 使执行器输出轴顺时针旋转($0^\circ \rightarrow 90^\circ$), B口排气。
Air to Port A forces the pistons outward, causing the pinion to turn clockwise while the air is being exhausted from Port B.

单作用执行器 Spring Return Actuators

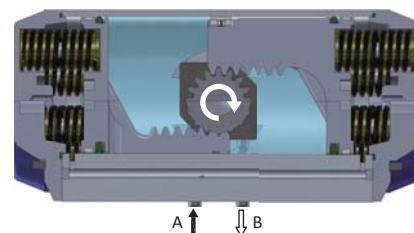


故障关闭FC
Air to Open
Spring to Close

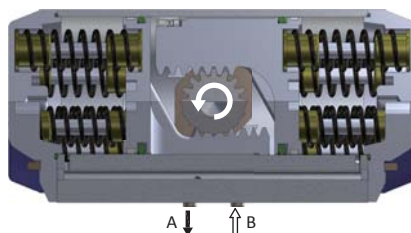


执行器失气, 活塞在弹簧力的作用下向内运动, 执行器输出轴顺时针转动($90^\circ \rightarrow 0^\circ$), A口排气。
Loss of air pressure on port A, the stored energy in the springs forces the pistons inwards. The pinion turns clockwise while air is being exhausted from port A.

A口进气, 压缩空气克服弹簧力, 推动活塞向外运动, 执行器输出轴逆时针转动($0^\circ \rightarrow 90^\circ$), B口排气;
Air to port A forces the pistons outward, causing the springs to compress. The pinion turns counterclockwise while air is being exhausted from port B.



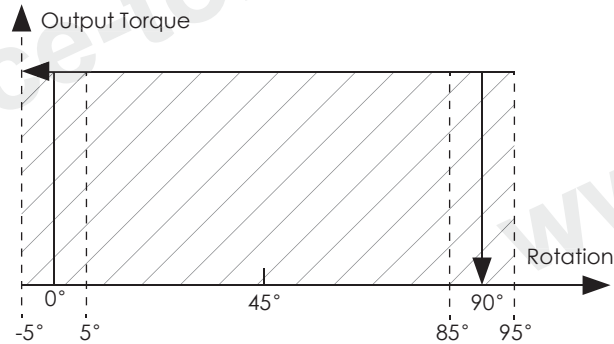
故障开启FO
Air to Close
Spring to Open



执行器失气, 活塞在弹簧力的作用下向内运动, 执行器输出轴逆时针转动($90^\circ \rightarrow 0^\circ$), A口排气。
Loss of air pressure on port A, the stored energy in the springs forces the pistons inwards. The pinion turns clockwise while air is being exhausted from port A.

A口进气, 压缩空气克服弹簧力, 推动活塞向外运动, 执行器输出轴顺时针转动($0^\circ \rightarrow 90^\circ$), B口排气;
Air to port A forces the pistons outward, causing the springs to compress. The pinion turns counterclockwise while air is being exhausted from port B.

Output Torque of Double Acting Actuators 双作用输出力矩



Unit: Nm

型号Model	气源压力Air supply pressure (Unit: bar)									
	2	2.5	3	4	4.5	5	5.5	6	7	8
RT007DA	3	4	5	6	7	8	8	9	11	12
RT012DA	5	6	7	10	11	12	13	14	17	19
RT020DA	8	10	12	16	18	20	22	24	28	32
RT035DA	15	18	22	29	33	36	40	44	51	58
RT050DA	20	25	30	40	45	50	55	60	70	80
RT075DA	31	39	47	63	70	78	86	94	110	125
RT110DA	45	56	68	90	102	113	124	135	158	181
RT160DA	66	83	99	132	149	165	182	198	231	264
RT255DA	100	125	150	200	226	251	276	301	351	401
RT435DA	171	214	256	342	385	427	470	513	598	684
RT665DA	266	332	399	532	598	665	731	798	931	1064
RT1000DA	426	532	638	851	958	1064	1170	1277	1490	1702
RT1200DA	532	665	798	1064	1197	1330	1463	1596	1862	2128
RT1800DA	769	962	1154	1539	1731	1924	2116	2308	2693	3078
RT2700DA	1170	1462	1754	2339	2632	2924	3216	3509	4094	4679
RT3800DA	1526	1908	2289	3052	3434	3815	4197	4578	5341	6104
RT5700DA	2285	2856	3427	4570	5141	5712	6283	6854	7997	9139
RT8000DA	3256	4070	4884	6512	7326	8140	8954	9768	11396	13024

双作用执行器的选型:

在正常操作条件下, 双作用执行器考虑的安全系数为20%-30%。

示例:

- 阀门力矩=100Nm
- 安全力矩=100 × (1+30%)=130Nm
- 气源压力=5Bar

对照双作用力矩表, 选配双作用执行器最小规格为RT160DA。

Sizing: Double Acting Actuator

The suggested safety factor for double acting actuators under normal working conditions is 20%-30%.

Example:

- The torque needed by valve=100N·m
- The torque considered safety factor (1+30%)=130N·m
- Air Supply=5Bar

According to the above table, we can choose the minimum model is RT160DA.

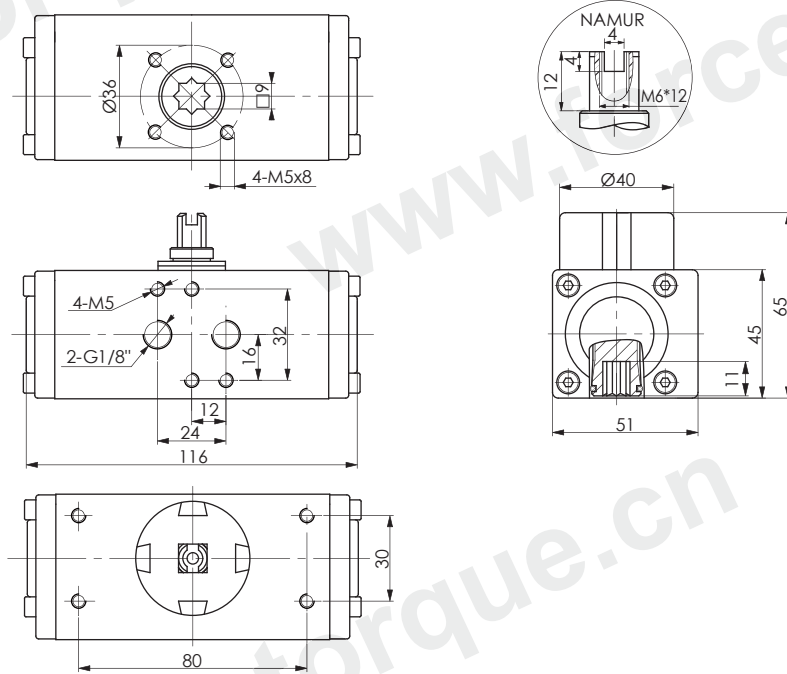


Unit: Nm

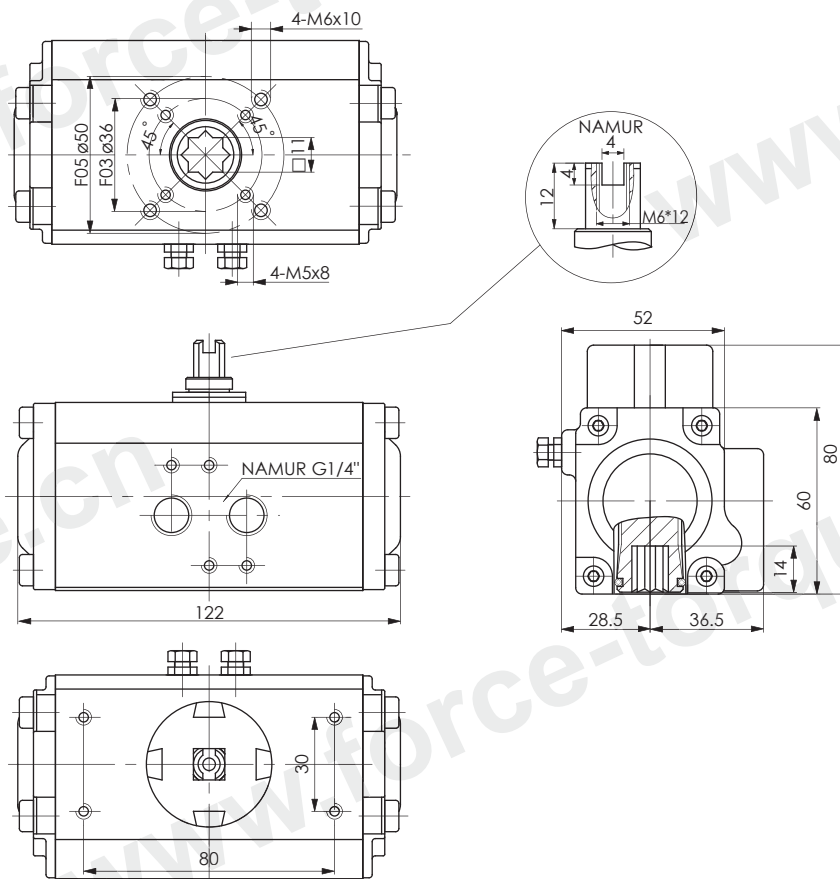
气压 Air pressure		输出扭矩 Output torque of air to springs														Springs' output	
型号 Model	Spring Qty.	2.5Bar		3Bar		4Bar		5Bar		6Bar		7Bar		8Bar		90°	0°
		0°	90°	0°	90°	0°	90°	0°	90°	0°	90°	0°	90°	0°	90°		
		Start	End	Start	End	Start	End	Start	End	Start	End	Start	End	Start	End	Start	End
RT665SR	K5	193	124	259	191	392	324									208	140
	K6	165	83	232	149	365	282	498	415							250	168
	K7	137	41	203	107	336	240	469	373							292	196
	K8			176	66	309	199	442	237	575	465	708	598			333	223
	K9					280	157	413	290	546	423	679	556			375	251
	K10					253	115	386	248	519	381	652	514	785	647	417	279
	K11							358	207	491	340	624	473	757	606	458	307
K12							330	165	463	298	596	431	729	564	500	335	
RT1000SR	K5	332	222	438	329	651	542									309	200
	K6	292	161	398	267	611	480	824	693							371	240
	K7	252	99	358	205	571	418	784	631							433	280
	K8			318	143	531	356	744	569	957	782	1169	995			495	320
	K9					491	295	704	507	917	720	1130	933			557	360
	K10					451	233	664	446	877	658	1090	871	1302	1084	618	400
	K11							624	384	837	597	1050	809	1263	1022	680	440
K12							584	322	797	535	1010	748	1223	960	742	480	
RT1200SR	K5	390	285	523	418	789	684									380	275
	K6	335	209	468	342	734	608	1000	874							456	330
	K7	280	133	413	266	679	532	945	798							532	385
	K8			358	190	624	456	890	722	1156	988	1422	1254			608	440
	K9					569	380	835	646	1101	912	1367	1178			684	495
	K10					514	304	780	570	1046	836	1312	1102	1578	1368	760	550
	K11							725	494	991	760	1257	1026	1523	1292	836	605
K12							670	418	936	684	1202	950	1468	1216	912	660	
RT1800SR	K5	552	409	744	600	1129	985									554	410
	K6	470	297	662	489	1047	874	1432	1259							665	492
	K7	388	187	580	379	964	764	1349	1149							775	575
	K8			498	268	883	653	1267	1037	1652	1422	2037	1807			886	656
	K9					800	542	1185	926	1569	1311	1954	1696			998	739
	K10					718	431	1103	816	1488	1201	1872	1586	2257	1970	1108	821
	K11							1021	705	1406	1090	1791	1474	2176	1859	1219	903
K12							939	594	1323	979	1708	1363	2093	1748	1330	985	
RT2700SR	K5	903	675	1195	968	1779	1552									787	560
	K6	790	519	1083	811	1667	1396	2252	1981							943	672
	K7	679	361	972	654	1556	1238	2141	1823							1101	783
	K8			860	497	1444	1081	2029	1666	2614	2252	3199	2836			1258	895
	K9					1332	923	1917	1509	2502	2094	3087	2678			1416	1007
	K10					1220	767	1805	1352	2390	1937	2974	2521	3560	3107	1572	1119
	K11							1693	1194	2278	1779	2862	2364	3448	2949	1730	1231
K12							1582	1037	2167	1623	2751	2207	3336	2792	1887	1342	
RT3800SR	K5	1097	729													1061	730
	K6	935	494	1316	875											1273	876
	K7	772	258	1153	639	1916	1402									1485	1022
	K8			991	403	1754	1166	2517	1929							1697	1168
	K9					1592	930	2355	1693	3118	2456					1909	1314
	K10					1430	695	2193	1458	2956	2221	3719	2984	4482	3747	2122	1460
	K11							2030	1222	2793	1985	3556	2748	4319	3511	2334	1606
K12							1868	986	2631	1749	3394	2512	4157	3275	2546	1752	
RT5700SR	K5	1553	964													1702	1173
	K6	1292	586	1863	1157											2043	1408
	K7	1031	208	1602	779	2745	1922									2383	1642
	K8			1341	401	2484	1544	3626	2686							2724	1877
	K9					2224	1165	3336	2307	4508	3449					3064	2112
	K10					1963	787	3105	1929	4247	3071	5390	4214	6532	5356	3405	2346
	K11							2844	1551	3986	2693	5129	3836	6271	4978	3745	2581
K12							2584	1172	3726	2314	4869	3457	6011	4599	4086	2816	
RT8000SR	K7	2028	869													2880	1837
	K8	1736	411	2550	1225											3292	2100
	K9			2259	768	3887	2396									3703	2362
	K10			1967	311	3595	1939	5223	3567							4115	2624
	K11					3303	1482	4931	3110	6559	4738					4526	2887
	K12					3012	1025	4640	2653	6268	4281	7895	5908	9523	7536	4938	3149
	K13							4348	2195	5976	3823	7603	5450	9231	7078	5349	3412
K14							4057	1738	5685	3366	7312	4993	8940	6621	5761	3674	
K15							3765	1281	5393	2909	7020	4536	8648	6164	6172	3937	
K16									5101	2452	6728	4079	8356	5707	6584	4199	

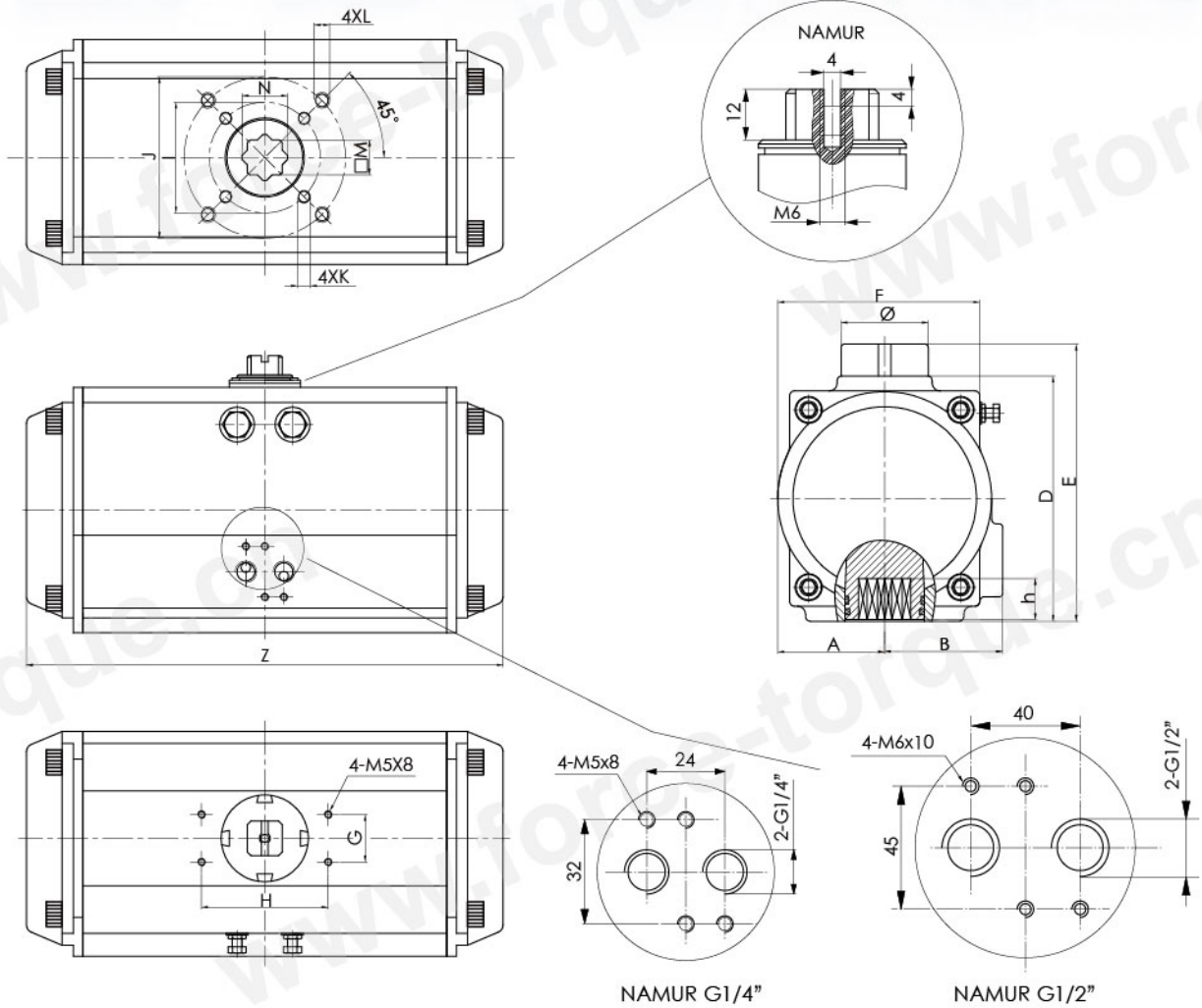
Dimension
外形尺寸

RT007DA



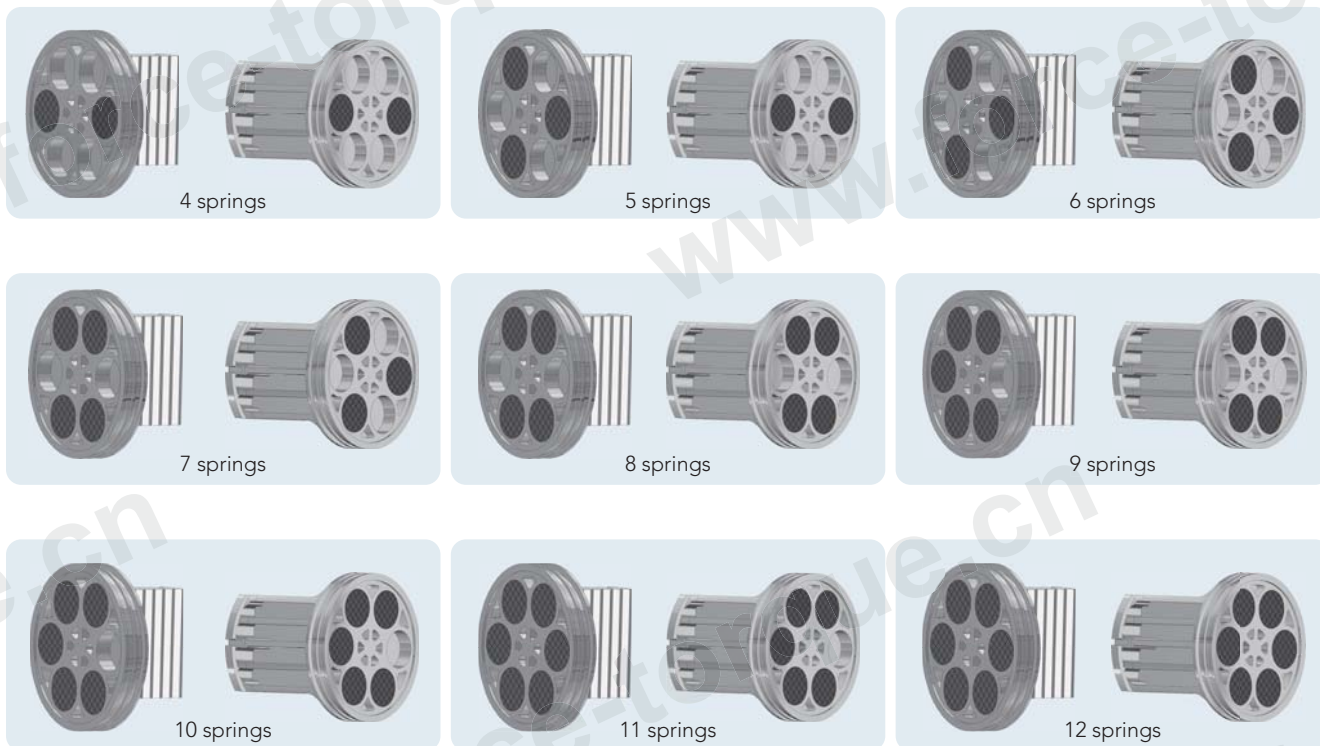
RT012DA





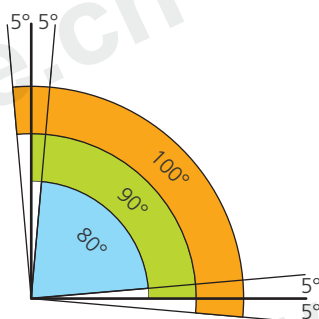
型号 Model	缸径 Cylinder	A	B	D	E	F	G	H	I	J	K	L	M	N	h	Z	ø	气源接口 Air Connection
RT020	ø52	30	41.5	72	92	65	30	80	ø36	ø50	M5×8	M6×10	11	ø15.5	14	149	ø40	NAMUR G1/4"
RT035	ø63	36	47	88	108	72	30	80	ø50	ø70	M6×10	M8×13	14	ø19.7	18	168	ø40	NAMUR G1/4"
RT050	ø75	42	53	99.5	119.5	81	30	80	ø50	ø70	M6×10	M8×13	14	ø19.7	18	184	ø40	NAMUR G1/4"
RT075	ø83	46	57	109	129	92	30	80	ø50	ø70	M6×10	M8×13	17	ø24	21	204	ø40	NAMUR G1/4"
RT110	ø92	50	58.5	116.5	136.5	98	30	80	ø50	ø70	M6×10	M8×13	17	ø24	21	262	ø40	NAMUR G1/4"
RT160	ø105	57.5	64	133	153	109.5	30	80	ø70	ø102	M8×13	M10×16	22	ø31	26	268	ø40	NAMUR G1/4"
RT255	ø125	67.5	74.5	155	175	127.5	30	80	ø70	ø102	M8×13	M10×16	22	ø29.5	26	301	ø55	NAMUR G1/4"
RT435	ø140	75	77	172	192	137.5	30	80	ø102	ø125	M10×16	M12×20	27	ø36.7	31	394	ø55	NAMUR G1/4"
RT665	ø160	87	87	197	217	158	30	80	ø102	ø125	M10×16	M12×20	27	ø36.7	31	458	ø55	NAMUR G1/4"
RT1000	ø190	103	103	230	260	189	30	130	/	ø140	/	M16×25	36	ø49.5	40	528	ø80	NAMUR G1/4"
RT1200	ø210	113	113	255	285	210	30	130	/	ø140	/	M16×25	36	ø49.5	40	532	ø80	NAMUR G1/4"
RT1800	ø240	130	130	289	319	245	30	130	/	ø165	/	M20×25	46	ø63.6	50	602	ø80	NAMUR G1/4"
RT2700	ø270	147	147	328	358	273	30	130	/	ø165	/	M20×25	46	ø63.6	50	722	ø80	NAMUR G1/2"
RT3800	ø300	203	203	348	378	290	30	130	ø165	ø215	M20×25	M20×25	46	ø63.6	60	758	ø80	NAMUR G1/2"
RT5700	ø350	230	230	408	438	336	30	130	ø165	ø254	M20×25	8-M16×24	55	ø63.6	60	888	ø80	NAMUR G1/2"
RT8000	ø400	258	258	480	510	360	30	130	ø165	ø254	M20×25	8-M16×25	55	ø77.7	60	930	ø80	NAMUR G1/2"

Spring Configuration 单作用执行器弹簧形式



Operating Conditions 工作技术条件

- 1、工作介质
干燥或润滑的空气或无腐蚀性气体介质中杂质微粒小于30 um。
- 2、气源压力
最小气源压力2.5巴，最大气源压力8巴。
- 3、介质环境温度
标准：-20℃~+80℃
低温：-40℃~+80℃
高温：-15℃~+150℃
- 4、行程调节
0°和90°两个位置有±5°的调节范围
- 5、使用场合
室内或室外安装



1. Operating media
Dry or lubricated air, or the non-corrosive gases
The maximum particle diameter must less than 30 um
2. Air supply pressure
The minimum supply pressure is 2.5 Bar
The maximum supply pressure is 8 Bar
3. Operating temperature
Standard: -20℃~+80℃
Low temperature: -40℃~+80℃
High temperature: -15℃~+150℃
4. Travel adjustment
Have adjustment range of $\pm 5^\circ$ for the rotation at 0° and 90°
5. Application
Either indoor or outdoor

Sizing: Spring Return Actuators 单作用执行器的选型

在正常工作条件下，单作用执行器考虑的安全系数为30%-50%

例如：

阀门需要力矩=80N.m

安全力矩=80(1+30%)=104N.m

气源压力=5Bar

对照单作用执行器输出力矩表，我们可以查到RT435SR K7输出力矩为

- 空气行程0° =308N.m
- 空气行程90° =247N.m
- 弹簧行程90° =181N.m
- 弹簧行程0° =120N.m

所有输出力矩均大于我们需求。

注意

单作用执行器弹簧复位过程中，执行器B口通气不影响执行器输出力矩，相反帮助弹簧的复位。

在单作用执行器的选配过程中，如果能够了解阀门在开启、运行和关闭时的扭矩分配，我们就可以更加经济、更加合理地选配执行器。

例如：

蝶阀原最大扭矩=104N.m

打开后扭矩104x30%=32N.m

气源压力=5Bar

我们可以选择RT255SR K11

- 空气行程0° =136N.m>104N.m
- 空气行程90° =78N.m>32N.m
- 弹簧行程90° =173N.m>32N.m
- 弹簧行程0° =115N.m>104N.m

以上数据显示可以满足该蝶阀的正常启闭。

Example:

The max torque needed by the butterfly valve=104N.m

The torque after opened (operating) 104x30%=32N.m

Air Supply=5Bar

We can select the RT255SR K11

output torque is:

- Air stroke 0°=136N.m >104N.m
- Air stroke 90°=78N.m >32N.m
- Spring stroke 90°=173N.m >32N.m
- Spring stroke 0°=115N.m >104N.m

The above datas show the actuator's torque can satisfy the requirement of the butterfly valve.

The suggested safety factor for spring return actuator under normal working conditions is 30-50%

Example:

The torque needed by valve=80N.m

The torque consider safety factor (1+30%)=104N.m

Air Supply=5Bar

According to the table of spring return actuators' output, we find output torque of RT435SR K7 is:

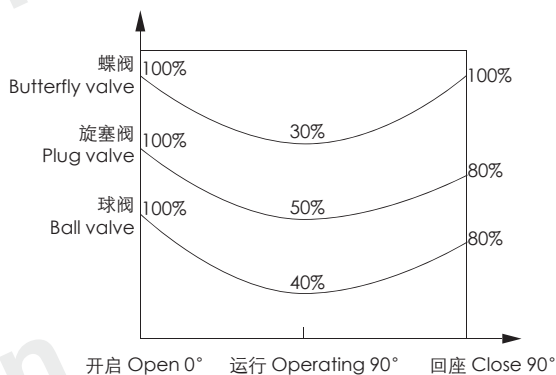
- Air stroke 0° =308N.m
- Air stroke 90° =247N.m
- Spring stroke 90° =181N.m
- Spring stroke 0° =120N.m

All the output torque is larger than we needed.

Attention

During the restoration, the spring return actuators' output torque will not be affected by the inputing air from the port B. On the contrary, it will help the restoration of springs.

During selecting the spring return actuators, we can choose the more reasonable and more economical actuators, if we know the different torque needed by the valve working at opening, operating and closing.



注意

确保执行器的输出扭矩和驱动阀门所需要的扭矩相符（执行器的型号和气源压力）。

请注意，选型扭矩不仅取决于阀门，还要考虑相关的工作、安全系数等参数。

Note

Make sure that the torque necessary to operate the valve is compatible with the actuator torque (it depends on both actuator type and air supply).

Please note that the requested torque depends not only on the valve, but on the working conditions and the safety margins of the plant in question, too.

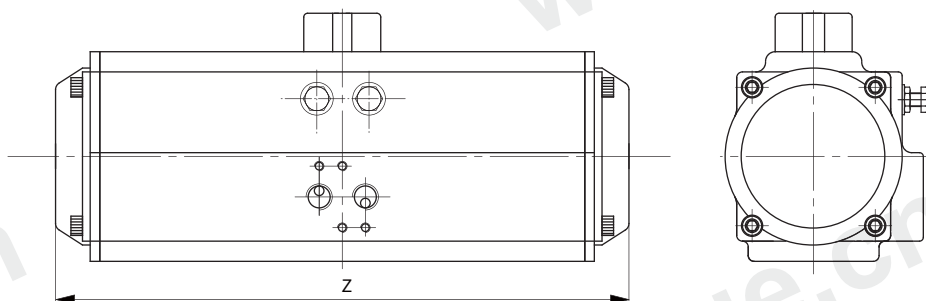
Double Acting and Spring Return 120° , 135° , 180° 双作用与单作用

为满足不同类型阀门及机械自动化的驱动要求，我司可根据客户要求定制不同行程(例120°、135°、180°等)的气动执行器。
In order to meet the special requirements of control valve we produced special strokes actuators on customer request (e.g. 120°, 135°, 180° etc.).

输出扭矩 Output Torque

输出扭矩请参考90°行程气动执行器扭矩表
Output torque of double acting actuators please refer to the torque of 90° actuators.

180°双作用执行器尺寸表 Length of DAx180°



Size	RT020	RT035	RT050	RT075	RT110	RT160	RT255	RT435	RT665	RT1000	RT1200
Z(mm)	213	243	258	298	362	386	429	569	652	756	760

If you enquire any further information of spring return actuators, please do not hesitate to contact us.

Three Position Pneumatic Actuator 三位式执行器

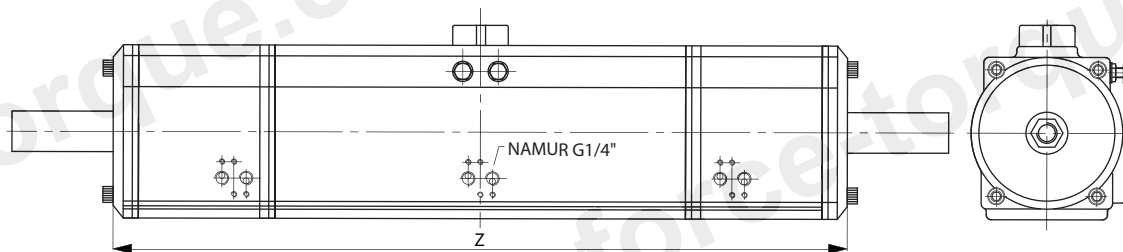
三位式气动执行器是一种特殊规格的执行机构，提供了0°，45°，90°或0°，90°，180°的三位式操作方式。中间位置是依靠两个辅助活塞的移动产生的机械制动来实现的。中间位置是可调的。如90°行程的执行器能提供20°，30°，50°，70°等的中间位置。

Three position actuator provide an operation of 0°, 45°, 90° or 0°, 90°, 180°, The midway position is achieved by a mechanical stop of movement on the 2 auxiliary pistons. This midway stop positions adjustable. Example: 90° actuator can provide 20°, 30°, 40°, 50°, 70° etc.

输出扭矩 Output Torque

输出扭矩请参考90°行程气动执行器扭矩表
Output torque of double acting actuators please refer to the torque of 90° actuators.

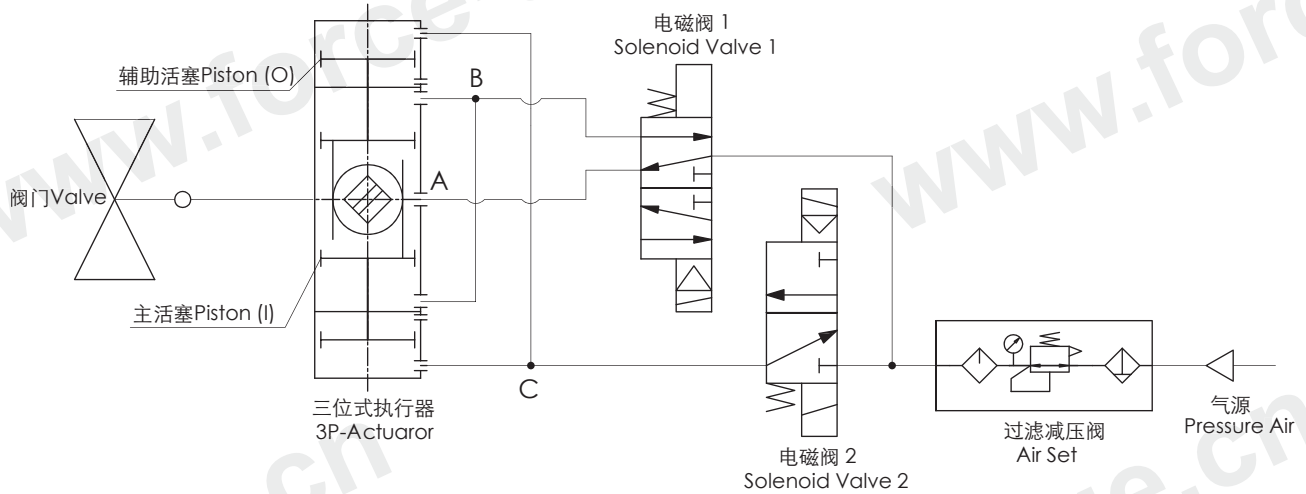
90°三位式双作用执行器尺寸表 Length of DA-3P(90°)



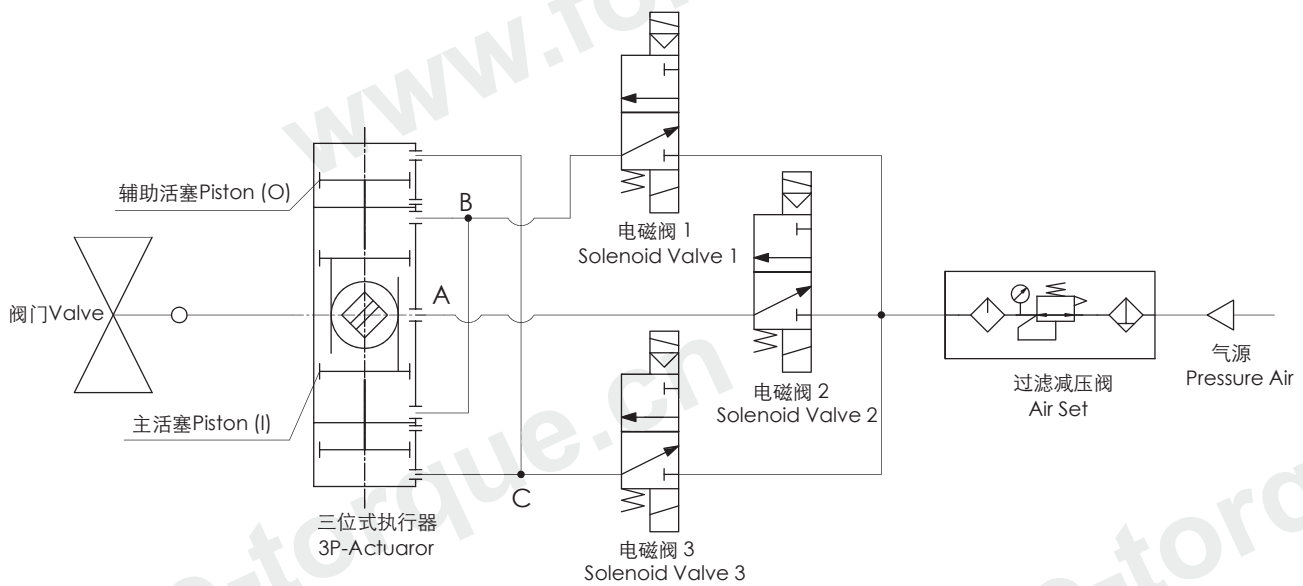
Size	RT020-3P	RT035-3P	RT050-3P	RT075-3P	RT110-3P	RT160-3P	RT255-3P	RT435-3P	RT665-3P	RT1000-3P	RT1200-3P
Z(mm)	266	303	306	336	394	410	456	570	646	788	788

If you enquire any further information of spring return actuators, please do not hesitate to contact us.

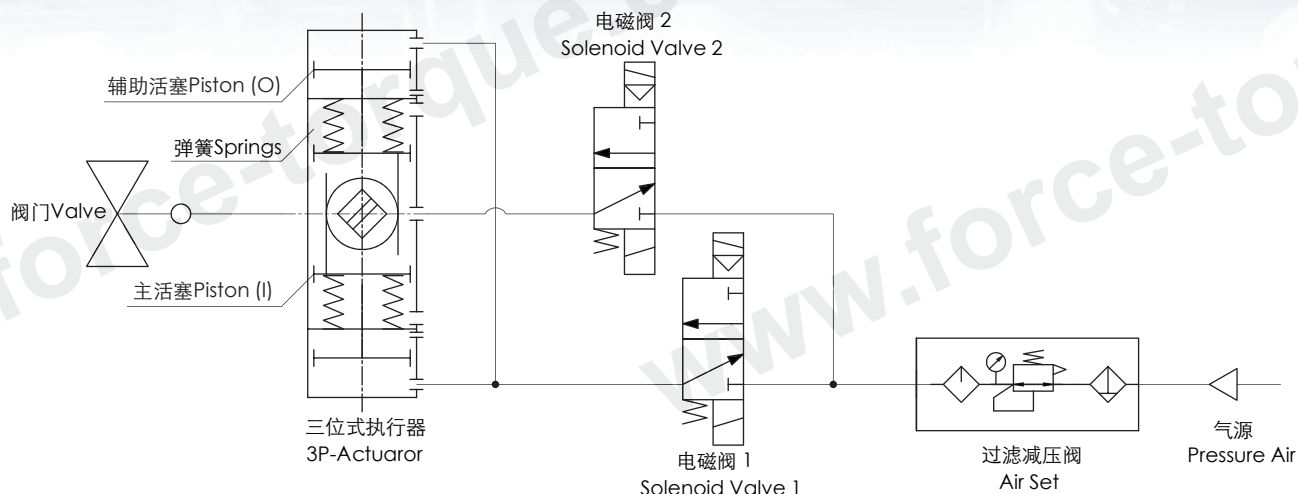
Schematic Diagram 三位式气动执行器工作原理图



	0°	90°	30°	0°
电磁阀 1 SOLENOID VALVE1	OFF	ON	OFF	OFF
电磁阀 2 SOLENOID VALVE2	OFF	OFF	ON	OFF



	0°	30°	90°	30°	0°
电磁阀 1 SOLENOID VALVE1	OFF	OFF	ON	OFF	OFF
电磁阀 2 SOLENOID VALVE2	ON	OFF	OFF	ON	ON
电磁阀 3 SOLENOID VALVE3	OFF	ON	ON	ON	OFF



	0°	30°	90°	30°	0°
电磁阀1 SOLENOID VALVE1	OFF	ON	OFF	ON	OFF
电磁阀2 SOLENOID VALVE2	OFF	ON	ON	ON	OFF



Air Consumption 耗气量

开向体积和关向体积 Air Volume Opening & Closing

Unit: L

Model 型号	Air volume opening 开向体积(升)	Air volume closing 关向体积(升)
RT007	0.04	0.05
RT012	0.08	0.11
RT020	0.12	0.16
RT035	0.21	0.23
RT050	0.3	0.34
RT075	0.43	0.47
RT110	0.64	0.73
RT160	0.95	0.88
RT255	1.6	1.4

Model 型号	Air volume opening 开向体积(升)	Air volume closing 关向体积(升)
RT435	2.5	2.2
RT665	3.7	3.2
RT1000	5.9	5.4
RT1200	7.5	7.5
RT1800	11	9
RT2700	17	14
RT3800	23.8	29.7
RT5700	35.1	46.3
RT8000	52.6	56

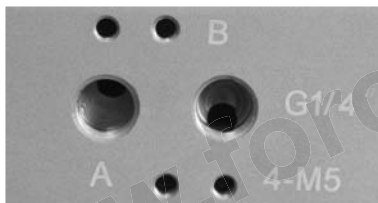
耗气量取决于供气压力、开关行程、体积及动作次数，计算如下：

$$\text{升/分} = \text{气缸体积 (开向体积+关向体积)} \times \left[\frac{\text{供气压力(Kpa)}+101.3}{101.3} \right] \times \text{次数/分钟}$$

Air consumption rest with Air Supply. Air volume and Action cycle times, expressions:

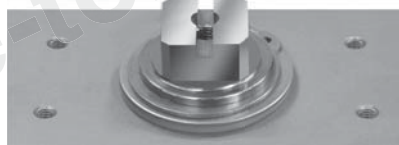
$$\text{L/Min} = \text{Air volume (Air volume Opening+Air volume closing)} \times \left[\frac{\text{Air Supply (Kpa)}+101.3}{101.3} \right] \times \text{Action cycle times (/min)}$$

Mounting Standard 安装标准



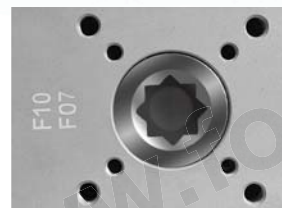
气源接口符合NAMUR标准，可简单方便地安装电磁阀。

Air supply connection is designed in accordance with NAMUR Standard to install solenoid valves.



输出轴的NAMUR标准槽和缸体上部标准安装孔，可使限位开关、定位器直接啮合和安装。

The Namur drive pinion and the Namur top mounting connection permit direct installation of accessories such as limit switch box and positioner.



底部安装孔设计符合ISO5211、DIN3337标准，可以直接安装离合器(气动手轮机构)或安装支架。

Bottom mounting connection is designed in accordance with ISO5211 and DIN3337 standards for direct mounting with valve gear boxes or mounting brackets.

Model Comparison 型号对照表

Unit: mm

型号Model	RT007	RT012	RT020	RT035	RT050	RT075	RT110	RT160	RT255
缸径Cylinder	Ø32	Ø40	Ø52	Ø63	Ø75	Ø83	Ø92	Ø105	Ø125
型号Model	RT435	RT665	RT1000	RT1200	RT1800	RT2700	RT3800	RT5700	RT8000
缸径Cylinder	Ø140	Ø160	Ø190	Ø210	Ø240	Ø270	Ø300	Ø350	Ø400

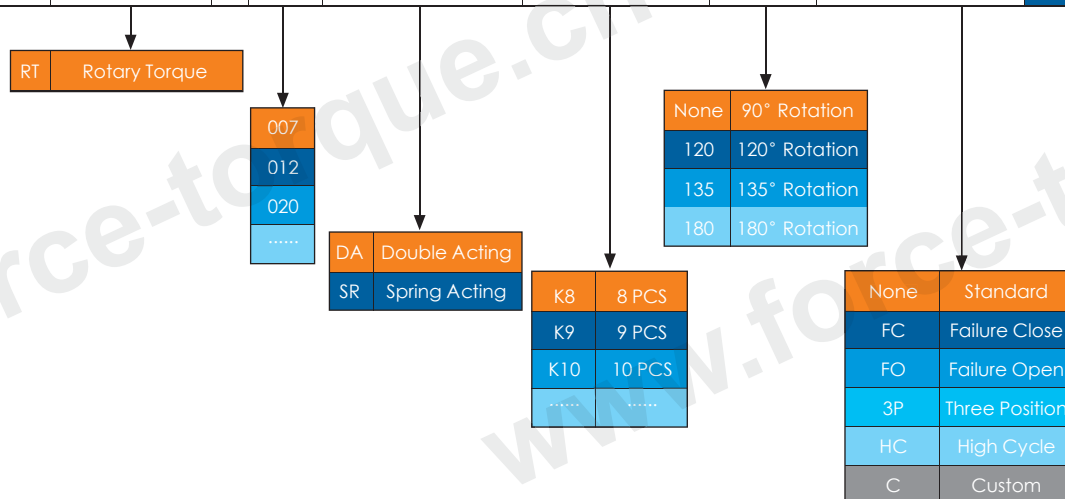
Weight Table 重量表

Model 型号	RT007	RT012	RT020	RT035	RT050	RT075	RT110	RT160	RT255
重量(DA)	0.8kg	1.0kg	1.2kg	2.0kg	2.6kg	3.2kg	4.6kg	6.0kg	8.8kg
重量(SR)	-	1.1kg	1.5kg	2.2kg	3.0kg	3.6kg	5.3kg	6.8kg	10.2kg
Model 型号	RT435	RT665	RT1000	RT1200	RT1800	RT2700	RT3800	RT5700	RT8000
重量(DA)	14.2kg	20.6kg	33.3kg	39.8kg	57kg	78.8kg	114kg	172kg	240kg
重量(SR)	16.5kg	24.5kg	40.5kg	49.2kg	70kg	100kg	142kg	221kg	285kg

注：1、SR为12根弹簧；2、重量为净重量；3、重量单位为kg。

How to Order 订购信息

单元 Unit	1	2	3	4	5	6	产品代号 Product code
内容 Content	系列 Series	- Model	动作形式 Acting Type	弹簧数量 Spring Qty.	行程 Travel	客户定制 Custom-tailor	RT020 SR K10
举例 Example	Rotary Torque	-	Spring Acting	10 PCS	None	None	
代号 Code	RT	020	SR	K10	None	None	





FT[®] FORCE & TORQUE

无锡福斯托科科技有限公司
WUXI FORCE & TORQUE TECHNOLOGY CO., LTD.

地址: 无锡市新吴区新华路26号

Add: No.26 Xinhua Road, Xinwu District, Wuxi, Jiangsu, China

电话 (Tel): +86-510-88550590/91/92

传真 (Fax): +86-510-88550590/91/92-812

E-mail: sales@force-torque.cn Http://www.force-torque.cn

我公司保留对产品样本中所有数据更改的权利。

Due to continuous development of our product range,
we reserve the right to modify the dimensions and information contained in this catalogue.